

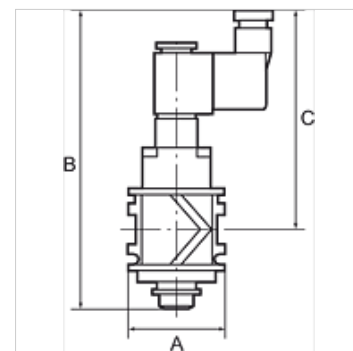
K-SCHALTVENTILE 3/2 VAROBLOC

On-off valves (3/2-way valves)

HANSA FLEX

Lastnosti

razred zaščite	IP 65 acc. to DIN 40050
delovni tlak	3 to 10 bar
meritev pretoka	At P1 = 6 bar and pressure drop $\Delta p = 1$ bar



Navodilo

Drugi podatki na zahtevo.

Opis

For pressurising and relieving pneumatic systems. Ideal as the main "on" valve for service units. The pressure in the line is exhausted when the valve is switched off.

Artikel

Opis	Navoj	pretok (L/min)	A (mm)	Priključek	B	C (mm)	Napetost
K- 07 25 11 94	G 1/4	2200	48,0	Device plug PG 9, type B, EN 175301-803	147,0 mm	108,0	24 V DC
K- 07 25 11 95	G 3/8	2600	48,0	Device plug PG 9, type B, EN 175301-803	147,0 mm	108,0	24 V DC
K- 07 25 11 96	G 1/2	3300	70,0	Device plug PG 9, type B, EN 175301-803	157,0 mm	113,0	24 V DC
K- 07 25 11 97	G 3/4	3800	70,0	Device plug PG 9, type B, EN 175301-803	157,0 mm	113,0	24 V DC
K- 07 25 11 98	G 1	3800	124,0	Device plug PG 9, type B, EN 175301-803	157,0 mm	113,0	24 V DC

Nadomestni deli

K-MAGNETSPULE VARIOBLOC	Solenoid
K-GERAETESTECKER	Coupling socket