

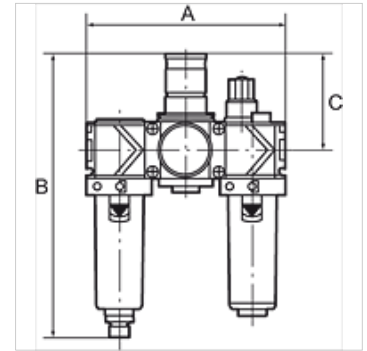
# K-WTEH 3-TLG MET SICH TROPF VARIOBL

Service units, 3-piece with metal bowl, incl. sight glass and metal sight dome

**HANSA FLEX**

## Lastnosti

<b>vstopni tlak</b>	Max. 16 bar (polycarbonate bowl), Max. 20 bar (metal bowl)
<b>temperatura medija</b>	max. 50 °C
<b>temperatura okolice</b>	Max. 50 °C (polycarbonate bowl), Max. 80 °C (metal bowl)
<b>velikost por v filtrnem elementu</b>	40 µm
<b>tesnilni material</b>	NBR
<b>vzmetni pokrov</b>	POM
<b>ohišje</b>	Die-cast zinc
<b>membrana</b>	NBR
<b>kapalni nastavek</b>	PA
<b>Drain valve</b>	Manual
<b>meritev pretoka</b>	At P1 = 10 bar, P2 = 6 bar and pressure drop $\Delta p = 1$ bar



## Navodilo

Drugi podatki na zahtevo.

## Opis

Two or three-piece service units consisting of a reversible diaphragm pressure regulator, independent of inlet pressure, with self-relieving design, combined with a centrifugal separator and a proportional lubricator. Approved series in modern industrial design, with the following key benefits: Simple handling, Convenient modular assembly thanks to innovative fasteners, Excellent flow values.

## Navodila za naročanje

Service units are also available with bowl guard or metal bowl. Service units are also available in other control ranges (0.5 - 6 bar and 0.5 - 16 bar) and in lockable version. Please ask for more information.

## Dodatne informacije

Service units are also available with bowl guard or metal bowl. Service units are also available in other control ranges.

## Artikel

Opis	Navoj	regulacijsko območje	pretok (L/min)	A (mm)	B	C (mm)
K- 07 25 14 12	G 1/4	0.5 - 10 bar	1500	144,0	201,0 mm	68,0
K- 07 25 14 14	G 3/8	0.5 - 10 bar	1800	144,0	201,0 mm	68,0
K- 07 25 14 16	G 1/2	0.5 - 10 bar	3400	210,0	274,0 mm	98,0
K- 07 25 14 18	G 3/4	0.5 - 10 bar	5000	210,0	274,0 mm	98,0
K- 07 25 14 20	G 1	0.5 - 10 bar	5000	264,0	274,0 mm	98,0

## Nadomestni deli

K-VERSCHLEI-SATZ VARIOBLOC	Set of wearing parts
K-FILTERELEMENT VARIOBLOC	Filter element
K-ERSATZBEHAELTER VARIOBLOC POLY	Spare tank Polycarbonat
K-TROPFAUFSATZ VARIOBLOC	Drip attachment
K-ABLASSVENTIL AUTO	Fully-automatic drain valve with Adapter G 1/8