

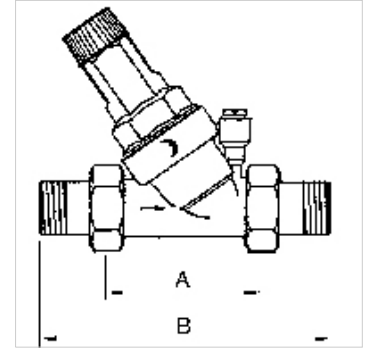
K-DRG SAXONIA M MANO

Pressure regulators

HANSA FLEX

Lastnosti

vstopni tlak	Max. 16 bar
Sredstva	Drinking water
delovna temperatura	Max. 30 °C
tesnilni material	NBR
vzmetni pokrov	Plastic
ohišje	Brass
nosilec sîta	Plastic, with control dial for back pressure
drugi podatki	DVGW Zertifikat



Navodilo

Drugi podatki na zahtevo.

Opis

Diaphragm pressure regulators with pressure-reduced single-seated valve and built-in strainer. These pressure regulators, which are independent of inlet pressure, protect domestic water installations against excessive supply pressure. They can also be used for commercial or industrial purposes providing their specification is adequate.

Artikel

Opis	Navoj	DN	regulacijsko območje	pretok vrednost kvs (m ³ /h)	A (mm)	B
K- 07 25 04 72	R 3/4	20	1.5 - 6 bar	3,4	90,0	158,0 mm
K- 07 25 04 73	R 1	25	1.5 - 6 bar	5,3	100,0	184,0 mm
K- 07 25 04 74	R 1 1/4	32	1.5 - 6 bar	8,6	130,0	228,0 mm

Nadomestni deli

K-VENTILAUSTAUSCHSATZ	Valve replacement kit
K-ERSATZSIEBE	Replacement strainer
K-RMM U STAHL	Standard pressure gauges (sheet steel housing / connection radial on bottom)