

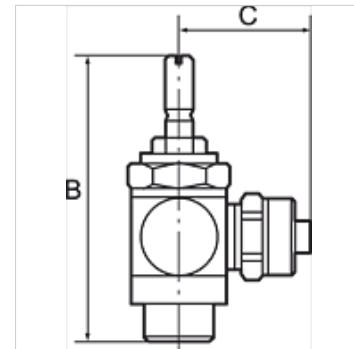
K-DRV SCHNVERSCHR V RAENDEL

Unidirectional flow control valves, incoming air restriction (»V«), quick-lock screw fitting

HANSA FLEX

Lastnosti

Obratovalni tlak	maks. 10 bar
območje temperatur:	0 °C to +70 °C
votli vijak, vrtljiva ročica, regulirni vijak	Nickel-plated brass
notranji deli	Brass with a bare metal surface
tesnilo z zavihkom tesnilnega obroča	NBR
tesnila (neizgubljiva)	Polyamide (glass fibre-reinforced)



Navodilo

Drugi podatki na zahtevo.

Opis

For fine regulation of a cylinder piston speed in the forward and return motion and precise control of flow rates. Designed as a banjo-type valve with a hollow bolt and ring piece. Can be screwed directly onto the valve or cylinder. Compact type of construction, also ideal where space is restricted. On the version with a knurled screw, the set volumetric flow rate can be locked with the hexagon nut to obtain a fixed setting.

Artikel

Opis	C (mm)	za cev	Navoj	zev ključa	B (mm)
K- 07 15 05 10	18,0	4 mm / 2,5 mm	M 5	8 mm	38,9
K- 07 15 05 11	19,0	5 mm / 3 mm	M 5	8 mm	38,9
K- 07 15 05 12	19,0	6 mm / 4 mm	M 5	8 mm	38,9
K- 07 15 05 18	23,0	5 mm / 3 mm	G 1/8	14 mm	42,4
K- 07 15 05 19	25,0	6 mm / 4 mm	G 1/8	14 mm	42,4
K- 07 15 05 20	25,0	8 mm / 6 mm	G 1/8	14 mm	42,4
K- 07 15 05 15	26,5	6 mm / 4 mm	G 1/4	17 mm	51,4
K- 07 15 05 16	27,5	8 mm / 6 mm	G 1/4	17 mm	51,4
K- 07 15 05 14	28,5	10 mm / 8 mm	G 1/4	17 mm	51,4