

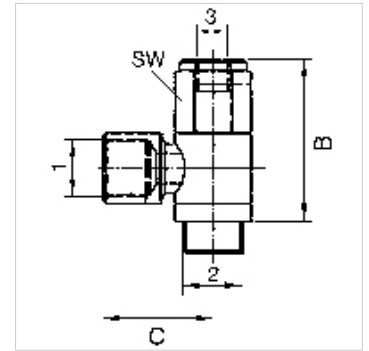
# K-HS RD

Unidirectional banjo valves, pneumatic release, port 2 with female thread

**HANSA FLEX**

## Lastnosti

delovni tlak	0.3 - 10 bar
krmilni tlak	0.5 - 2.5 bar, depending on operating pressure
temperatura medija	max. 60 °C
Vgradna lega	Any. The ring piece must be positioned before the valve is tightened
Material:	ponikljana medenina
tesnilni material	Perbunan



## Navodilo

Drugi podatki na zahtevo.

## Opis

For stopping and positioning the cylinder movement: If a control signal is present at port 3 (see drawing), air can flow to and from the cylinder. If no control signal is present, the cylinder exhaust air is shut off by the unidirectional valve. The cylinder is stopped. Releasable unidirectional valves are screwed directly onto the cylinder instead of the normal pipe connections.

## Artikel

Opis	Port 1	Port 2	Priključek 3	B (mm)	C (mm)
K- 07 15 07 04	G 1/8	G 1/8	M 5	38,0	21,5
K- 07 15 07 03	G 1/4	G 1/4	G 1/8	43,0	25,4
K- 07 15 07 05	G 3/8	G 3/8	G 1/8	46,0	31,6
K- 07 15 07 02	G 1/2	G 1/2	G 1/8	52,0	32,0