

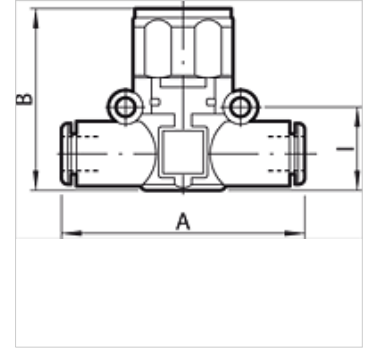
K-MANO SCHL SCHL

Pressure gauges, pipe - pipe

HANSA FLEX

Lastnosti

Obratovalni tlak	maks. 12 bar
merilna točnost	+/- 4 % of full-scale value
skaliranje	0 - 12 bar
območje temperatur:	-20 °C to +60 °C
ohišje	Technopolymer
notranji deli	nickel-plated brass, brass, technopolymer, stainless steel
tesnilni material	NBR
Montaža	Wall mounting (housing with drilled holes) Bracket mounting (mounting bracket available) Panel mounting (with bracket or lock nut)
simbol	on the housing



Navodilo

Drugi podatki na zahtevo.

Opis

A carefully selected assortment of products for installation in pneumatic circuits. These small, highly efficient components allow all pneumatic functions to be implemented anywhere in the circuit. The series has an ultramodular design. All components can be installed in parallel, in series, in a mixed parallel / serial configuration. Available as Pipe / pipe connection with two plug connectors Thread / pipe connection, with one plug connector and one nickel-plated brass thread.

Artikel

Opis	za Ø cevi (mm)	A (mm)	B (mm)	l (mm)
K- 07 15 25 38	4	41,8	36,1	12,8
K- 07 15 14 11	6	49,0	35,0	14,6
K- 07 15 14 12	8	57,2	41,1	18,7