

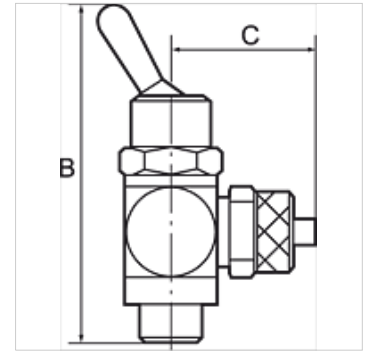
K-WKV 2/2 BEIDS STECK

2/2-way toggle valves, discharge port on both sides, plug-in connector

HANSA FLEX

Lastnosti

| | |
|--|---|
| Obratovalni tlak | maks. 8 bar |
| območje temperatur: | 0 °C to +70 °C |
| navoj stikalne plošče | M 12 x 0.75 (sheet thickness max. 4 mm) |
| notranji deli | Brass with a bare metal surface |
| tesnilni material | NBR |
| votli vijak, vrtljiva ročica, klecni vzvod | Nickel-plated brass |
| tesnila (neizgubljiva) | Polyamide (glass fibre-reinforced) |



Navodilo

Drugi podatki na zahtevo.

Opis

Manually operated toggle valves, 2/2 and 3/2-way types. For all applications where compressed air must be switched on or off quickly and easily or a cylinder operated manually. Designed as a banjo-type valve with a hollow bolt and ring piece. Suitable for screwing directly into the equipment or for panel mounting. Compact type of construction, also ideal where space is restricted.

Artikel

| Opis | Izvedba | C (mm) | za cev | Navoj | zev ključa | B (mm) |
|----------------|---------|-----------|--------|-------|------------|-----------|
| K- 07 15 07 17 | 2/2-way | 19,5 | 4 mm | G 1/8 | 14 mm | 55,0 |
| K- 07 15 07 18 | 2/2-way | 22,0 | 6 mm | G 1/8 | 14 mm | 55,0 |
| K- 07 15 07 19 | 2/2-way | 22,5 | 8 mm | G 1/8 | 14 mm | 55,0 |
| K- 07 15 07 15 | 2/2-way | 23,5 | 6 mm | G 1/4 | 17 mm | 60,0 |
| K- 07 15 07 16 | 2/2-way | 24,0 | 8 mm | G 1/4 | 17 mm | 60,0 |
| K- 07 15 07 14 | 2/2-way | 26,5 | 10 mm | G 1/4 | 17 mm | 60,0 |