

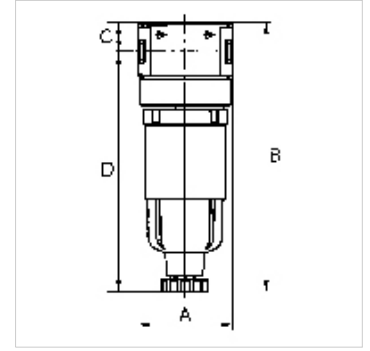
K-FI MIKRO METALLBEHAEL MULTIFIX MI

Micro-filters with metal bowl

HANSA FLEX

Lastnosti

vstopni tlak	Max. 16 bar
temperatura medija	max. 60 °C
temperatura okolice	Max. 60 °C
finoča filtra	0,01 µm
izkoristek	99.999 %
tesnilni material	NBR
filtrski vložek	Borosilicate-POM
ohišje	Die-cast zinc
Drain valve	Semi-automatic
meritev pretoka	FM at P1 = 6 bar and pressure drop $\Delta p = 0.09$ bar



Navodilo

If several devices in the »multifix-mini« Series are assembled together, the maximum working pressure is 12 bar.
Drugi podatki na zahtevo.

Opis

Micro-filters for compliance with strict compressed air purity requirements. Suitable for all applications where standard filters do not afford the desired efficiency.

Artikel

Opis	Navoj	pretok (L/min)	A (mm)	B	C (mm)	D (mm)	DN
K- 07 25 10 55	G 1/8	230	40,0	111,6 mm	12,3	99,3	5
K- 07 25 10 57	G 1/4	450	40,0	138,1 mm	12,3	125,8	5

Nadomestni deli

K-AUTOMAT ABLASSVENTIL	Automatic drain valve
K-KOPPELPAKET MEHR	Coupling packet