

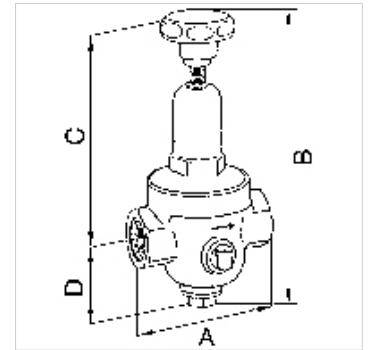
K-DRG DRV 250 NIEDERDRUCK

DRV 250 pressure regulators, low-pressure type

HANSA FLEX

Lastnosti

vstopni tlak	Max. 25 bar (Series 200 and 300 Series), Max. 40 bar (400 Series)
območje temperatur:	Max. 75 °C
reducirno razmerje	Max. 10:1 (200 Series), Max. 20:1 (300 Series), Max. 6:1 (400 Series)
tesnilni material	NBR
vzmetni pokrov	Pressed brass up to DN 25, Grey cast iron from DN 32
ohišje	Red brass 2.1096.01



Navodilo

Drugi podatki na zahtevo.

Opis

Diaphragm pressure regulators with non-self-relieving design and non-pressure-reduced single-seated valve. Very precise adjustment. Good response characteristic because of only a few moving parts which hence minimal friction. Ideal for compressed air, nitrogen and other neutral, non-flammable gases, but only suitable for liquids with comparatively low flow rates.

Navodila za naročanje

Druge izvedbe na zahtevo

Dodatne informacije

druge izvedbe na zahtevo

Artikel

Opis	Navoj	regulacijsko območje	pretok vrednost kvs (m ³ /h)	A (mm)	B	C (mm)	D (mm)
K- 07 25 04 94	G 1/4	0.2 - 2 bar	0,5	70,0	185,5 mm	140,0	45,5
K- 07 25 04 95	G 3/8	0.2 - 2 bar	0,6	70,0	185,5 mm	140,0	45,5
K- 07 25 04 96	G 1/2	0.2 - 2 bar	1,2	85,0	232,5 mm	186,0	46,5

Nadomestni deli

K-VERSCHLEI-SATZ Set of wearing parts