

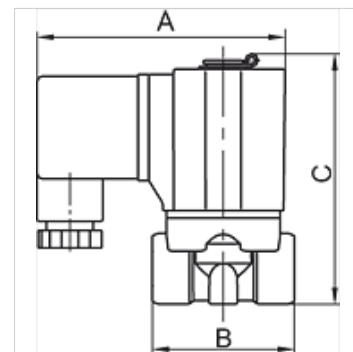
K-MV O (NO) D 230 V, 50 HZ STA VA

Normally open, (NO), directly operated, 230 V, 50 Hz, standard type VA

HANSA FLEX

Lastnosti

Električni priključek	device socket type A in acc. with ISO 4400 for all valves with threads G 3/8 & G 1/2, except valves type 3 & 4. Device socket
opis navoja	G thread acc. DIN EN ISO 228-1
temperatura medija	max. 80 °C when using water or oils; max. 90 °C when using with air
razred zaščite	IP 65
maks. delovni tlak	7 bar
tesnilni material	FPM
ohišje, sedež ventila	Stainless steel 1.4301
notranji deli	Stainless steel



Navodilo

Drugi podatki na zahtevo.

Opis

Standard series in two different versions: Directly operated, Pilot-operated

Artikel

Opis	Navoj	nazivni premer	A (mm)	B (mm)	C (mm)	izvedba
K- 07 30 01 34	G 1/8	3,0	70,0	40,0	76,0	2
K- 07 30 01 35	G 1/4	3,0	70,0	40,0	76,0	2
K- 07 30 01 36	G 3/8	5,0	85,0	52,0	92,0	2
K- 07 30 01 37	G 1/2	5,0	85,0	52,0	92,0	2