

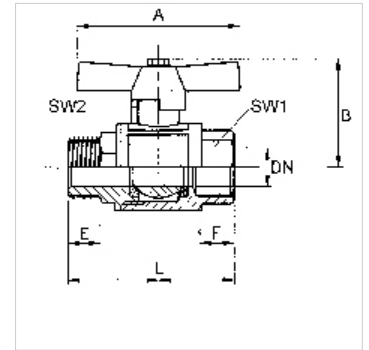
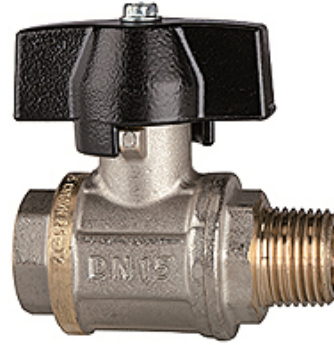
K-BKR DREHGRIFF IG AG

Ball valves with wing lever, female/male thread

HANSA FLEX

Lastnosti

Območje uporabe	Compressed air, water, non-toxic and neutral gases, heating oil (EL),(S), lubricants, dieseloil, water beased coatings
delovna temperatura	-20 °C to +130 °C
opis navoja	G thread acc. to DIN EN ISO 228-1, R thread acc. to DIN EN 10226 (ISO 7-1)
ohišje	Nickel-plated brass
vzvod	Alu, painted black
krogla	hardchrome-plated brass
tesnilo krogle	PTFE
tesnilo vretena	PTFE



Navodilo

Drugi podatki na zahtevo.

Artikel

Opis	DN	Navoj	PN (bar)	A (mm)	B (mm)	E (mm)	F (mm)	L (mm)	zav ključa 1 (mm)	zav ključa 2 (mm)
K- 07 30 20 37	8	G/R 1/4	80	45,0	43,0	11,0	7,0	49,0	18	18
K- 07 30 20 38	10	G/R 3/8	80	45,0	45,5	11,0	9,0	56,0	21	21
K- 07 30 20 39	15	G/R 1/2	80	55,0	54,5	15,0	8,0	68,0	27	26
K- 07 30 20 40	20	G/R 3/4	80	55,0	58,5	16,0	13,0	77,0	33	32
K- 07 30 20 41	25	G/R 1	80	70,0	70,5	19,0	14,5	88,4	40	39