

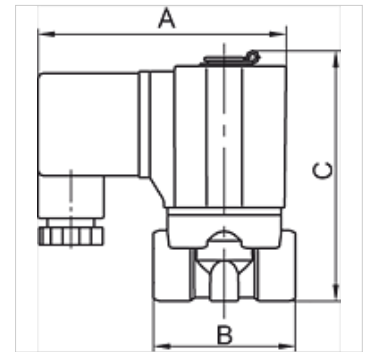
K-MV G (NC) V 24 V DC 1 VA

Normally closed, (NC), pilot-operated, 24 V DC VA stainless steel

HANSA FLEX

Lastnosti

Električni priključek	device socket type A in acc. with ISO 4400 for all valves with threads G 3/8 & G 1/2, except valves type 3 & 4. Device socket
opis navoja	G thread acc. DIN EN ISO 228-1
temperatura medija	max. 80 °C when using water or oils; max. 90 °C when using with air
razred zaščite	IP 65
maks. delovni tlak	10 bar
tesnilni material	FPM
ohišje, sedež ventila	Stainless steel 1.4301
notranji deli	Stainless steel



Navodilo

Drugi podatki na zahtevo.

Opis

Standard series in two different versions: Directly operated, Pilot-operated

Artikel

Opis	min. delovni tlak (bar)	Navoj	nazivni premer	A (mm)	B (mm)	C (mm)	izvedba
K- 07 30 01 28	0,50	G 1/2	15,0	70,0	70,0	107,0	3
K- 07 30 01 29	0,50	G 3/4	20,0	70,0	82,0	115,4	3
K- 07 30 01 30	0,50	G 1	25,0	70,0	92,0	124,0	3