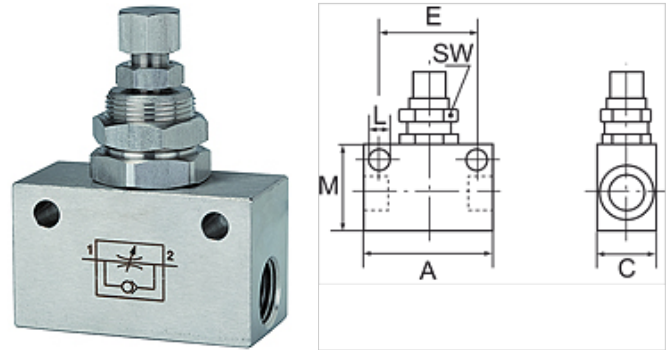


K-DRV 2

Unidirectional flow control valves

Lastnosti

Obratovalni tlak	maks. 10 bar
delovna temperatura	0 °C to +150 °C
tesnilni material	FKM
ohišje	Stainless steel 1.4404
notranji deli	Stainless steel 1.4404



Navodilo

Drugi podatki na zahtevo.

Opis

Unidirectional flow control valve, restricted in the flow direction and free passage in the opposite direction.

Artikel

Opis	Navoj	A (mm)	C (mm)	E (mm)	L (mm)	M (mm)	SW (mm)
K- 07 30 12 41	G 1/8	34,0	15,0	24,0	4,5	20,0	14
K- 07 30 12 42	G 1/4	50,0	25,0	35,0	5,5	30,0	22