

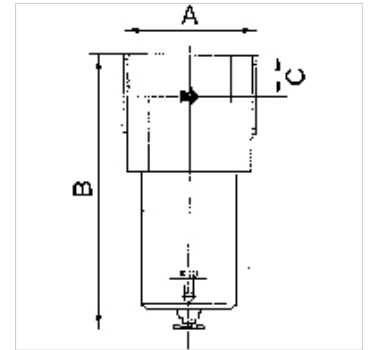
K-FI MIKRO BIS 60 BAR

Micro-filters for high pressures up to 60 bar

HANSA FLEX

Lastnosti

vstopni tlak	Max. 60 bar
delovna temperatura	0 °C to +90 °C
izkoristek	99.9999 %
velikost por v filtrnem elementu	0.01 µm
tesnilni material	NBR
posoda	Brass
filtrirni element	Borosilicate
ohišje	Aluminium
meritev pretoka	At P2 = 6 bar and pressure drop $\Delta p = 0,5$ bar



Navodilo

Drugi podatki na zahtevo.

Opis

Fine filter for all applications with particularly strict compressed air purity requirements. Micro-filters should always be used in conjunction with a standard filter connected upstream to trap coarse impurities and protect the micro-filter inserts.

Artikel

Opis	Navoj	pretok (L/min)	A (mm)	B	C (mm)
K- 07 25 06 21	G 3/8	2000	73,0	187,0 mm	25,0
K- 07 25 06 22	G 1/2	2000	65,0	187,0 mm	25,0
K- 07 25 06 23	G 3/4	2300	92,0	196,0 mm	29,0
K- 07 25 06 24	G 1	2300	80,0	196,0 mm	29,0

Pribor

K-HALTERBAUSATZ Holder

Nadomestni deli

K-FILTERELEMENT STANDARD Filter element