

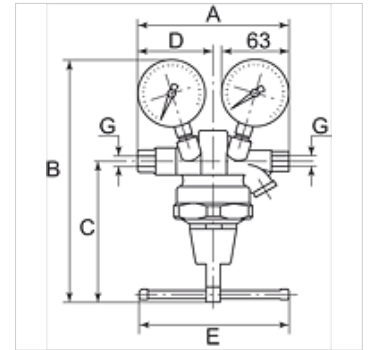
# K-LEITUNGSDRUCKREGLER 200 BAR

Inline pressure regulators up to 200 bar

**HANSA FLEX**

## Lastnosti

Obratovalni tlak	max. 200 bar
delovna temperatura	-10 °C to +90 °C
nastavitev	Knob (50 bar), Rotary switch (100 and 150 bar)
tesnilni material	NBR
Material:	med



## Navodilo

Drugi podatki na zahtevo.

## Opis

Inline pressure regulator input pressure, suitable for compressed air, nitrogen and other neutral, compressed gases.

## Artikel

Opis	Navoj	regulacijsko območje	pretok (L/min)	A (mm)	B	C (mm)	D (mm)	E (mm)
K- 07 25 08 27	G 1/4 female	1 - 50 bar	2500	162,0	188,5 mm	100,0	76,0	50,0
K- 07 25 08 28	G 1/4 female	1 - 100 bar	2700	162,0	213,5 mm	125,0	76,0	130,0
K- 07 25 08 29	G 1/4 female	1 - 150 bar	2900	162,0	213,5 mm	125,0	76,0	130,0