

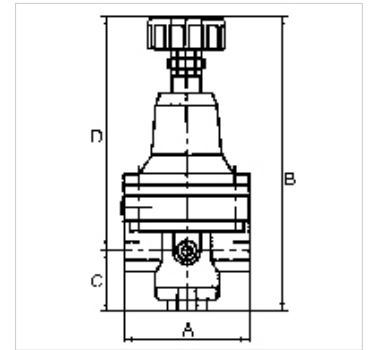
# K-PRAEZIONS STEUERREGLER

Precision pilot regulators (feedback)

**HANSA FLEX**

## Lastnosti

vstopni tlak	Max. 16 bar
temperatura medija	max. 80 °C
temperatura okolice	Max. 80 °C
priključek za manometer	For feedback pressure
tesnilni material	FKM
ohišje	Die-cast zinc
membrana	FKM
lastna poraba zraka	3 to 6 l/min



## Navodilo

Drugi podatki na zahtevo.

## Opis

Diaphragm pressure regulator for feedback systems, specially designed for use in a pneumatically controlled closed control loop in combination with a pressure regulator with pneumatic remote control, e.g. our Art. Nos. K-07250505 to K-07250510.

## Artikel

Opis	Navoj	regulacijsko območje	A (mm)	B	C (mm)	D (mm)
K- 07 25 05 11	G 1/4	0.2 - 7 bar	82,0	142,8 mm	19,4	123,4

## Pribor

K-HALTERBAUSATZ STANDARD Holder