

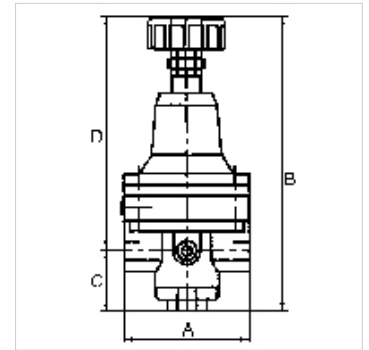
K-PRAEZI DRUCKREGL OHNE EIGENLUF

Precision pressure regulators without air consumption

HANSA FLEX

Lastnosti

vstopni tlak	Max. 16 bar
temperatura medija	max. 80 °C
temperatura okolice	Max. 80 °C
Sredstva	Fine-filtered (5 µm), unlubricated compressed air, neutral gases
priključek za manometer	G 1/4
tesnilni material	NBR
ohišje	Die-cast zinc
konus ventila, membrana	FPM



Navodilo

Drugi podatki na zahtevo.

Opis

Diaphragm pressure regulators with self-relieving design for applications requiring an accurate working pressure.

Artikel

Opis	Navoj	regulacijsko območje	pretok (L/min)	A (mm)	B	C (mm)	D (mm)
K- 07 25 09 39	G 1/4	0 - 1 bar	600	82,0	148,0 mm	19,5	128,5
K- 07 25 09 40	G 1/4	0.1 - 3 bar	760	82,0	148,0 mm	19,5	128,5
K- 07 25 09 41	G 1/4	0.2 - 6 bar	550	82,0	148,0 mm	19,5	128,5
K- 07 25 09 42	G 1/4	0.5 - 10 bar	400	82,0	148,0 mm	19,5	128,5

Pribor

K-HALTERBAUSATZ STANDARD Holder