

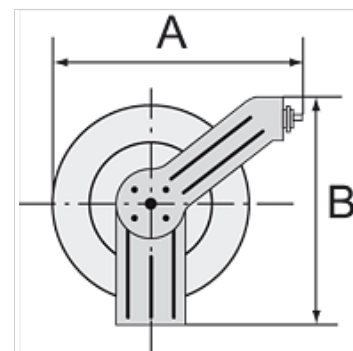
# K-SCHL-AUFROLLER SCHWEISS

Hose reel, welding type

**HANSA FLEX**

## Lastnosti

<b>cevi</b>	Welding hose for oxygen and acetylene, red and blue, made from synthetic rubber.
<b>Obratovalni tlak</b>	maks. 10 bar
<b>Pritrditev</b>	Wall, floor or ceiling
<b>vhod</b>	Oxygen G 1/4 male, right-hand thread with 60° inside cone, Acetylene G 3/8 male, left-hand thread with 60° inside cone



## Navodilo

Drugi podatki na zahtevo.

## Opis

Heavy-duty steel design for industrial applications. Blue, powder-coated housing. Special reel guide prevents excessive wear on the hose. An automatic latching mechanism allows the hose to be engaged at any length. Enclosed spring. Precise locking device for continuous feeding or latching mechanism.

## Artikel

Opis	mera cevi	Višina (mm)	Premer (mm)	dolžina cevi (m)
K- 07 10 06 28	Oxygen: 16.5 mm x 6 mm, Acetylene: 17 mm x 10 mm	360	320	15