

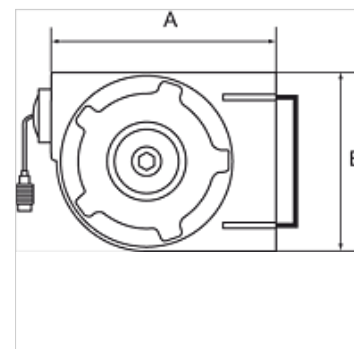
K-SCHL-AUFROLLER KOMPAKT

Hose reel, compact type

HANSA FLEX

Lastnosti

Material cevi	Polyurethane
Obratovalni tlak	maks. 10 bar
delovna temperatura	-10 °C to +40 °C
kot zasuka	180°
Priključek	G 1/4
vhod	Hose stem 8 mm
ohišje	Rugged, impact-resistant polypropylene



Navodilo

Drugi podatki na zahtevo.

Opis

A compact, lightweight hose reel for universal air applications whenever space is restricted.

Artikel

Opis	mera cevi	A (mm)	B (mm)	dolžina cevi (m)
K- 07 10 06 15	12 mm x 8 mm	340,0	245,0	7