

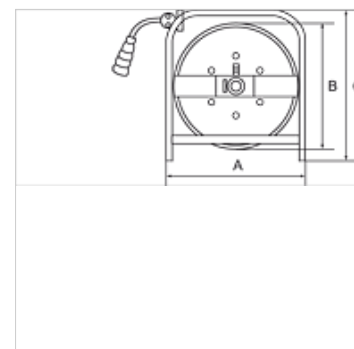
K-SCHL-AUFROLLER MOBIL

Hose reels for mobile applications

HANSA FLEX

Lastnosti

Material cevi	Polyurethane
Obratovalni tlak	maks. 10 bar
delovna temperatura	-10 °C to +40 °C
vhod	Hose stem 8 mm
priključni navoj	Coupling G 3/8



Navodilo

Drugi podatki na zahtevo.

Opis

Specially designed for mobile applications. This 50 m long polyurethane hose is mounted in a portable four-wheel cart made from blue anodised steel. An automatic latching mechanism allows the hose to be engaged at any length. Enclosed spring. Precise locking device for continuous feeding or latching mechanism. Reel guide prevents excessive wear on the hose.

Artikel

Opis	mera cevi	A (mm)	B (mm)	C (mm)	dolžina cevi (m)
K- 07 10 06 16	12 mm x 8 mm	452,0	400,0	460,0	50