

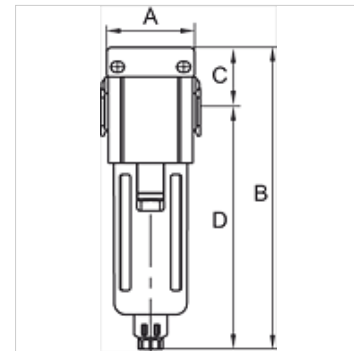
K-FI PC-BEHÄLTER H ABLV HW G

Filters with polycarbonate bowl, bowl guard and »HW« mounting bracket, semi-automatic drain valve

HANSA FLEX

Lastnosti

vstopni tlak	Max. 10 bar
temperatura medija	max. 70 °C
temperatura okolice	Max. 70 °C
delovni tlak	1.5 - 9 bar
velikost por v filtrirnem elementu	5 µm
tesnilni material	NBR
ohišje	Die-cast aluminium
Drain valve	Semi- or fully-automatic
meritev pretoka	At P1 = 8 bar, P2 = 6 bar and pressure drop $\Delta p = 1$ bar
drugi podatki	User manual on request



Artikel

Opis	Navoj	pretok (L/min)	A (mm)	B	C (mm)	D (mm)	Velikost
K- 07 25 06 35	G 1/4	1550	51,0	164,0 mm	21,0	143,0	1
K- 07 25 06 37	G 3/8	1800	51,0	164,0 mm	21,0	143,0	1
K- 07 25 06 39	G 1/2	1800	51,0	164,0 mm	21,0	143,0	1
K- 07 25 06 41	G 3/8	4900	68,0	191,5 mm	25,0	166,5	2
K- 07 25 06 43	G 1/2	4900	68,0	191,5 mm	25,0	166,5	2

Pribor

K-ERSATZBEHÄLTER G UND G-MINI POLY	Spare tanks »G« Series and »G-mini« Series Polycarbonat
K-SCHUTZKORB G	Protective cage
K-FILTERELEMENT	Filter element
K-HALTERBAUSATZ	Holder
K-VERBINDUNGSELEMENTE	Connecting sets
K-WANDHALTER	Wall bracket