

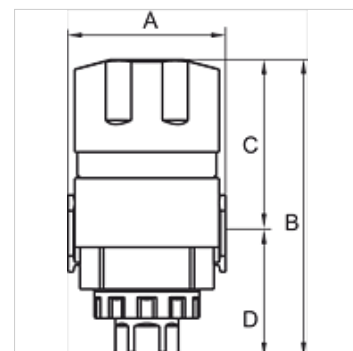
# K-3/2 ABSPERRVENTILE HW SCHL G

3/2-way shut-off valve

**HANSA FLEX**

## Lastnosti

vstopni tlak	0 - 9 bar
temperatura medija	max. 70 °C
temperatura okolice	Max. 70 °C
odzračevalni priključek	G 3/8 (K-07251214, K-07251215, K-07251216), \nG 1/2 (K-07251217, K-07251218)
tesnilni material	NBR
ohišje	Die-cast-Aluminium
klin	Plastic
meritev pretoka	At P1 = 8 bar, P2 = 6 bar and pressure drop $\Delta p$ = 1 bar
drugi podatki	User manual on request



## Artikel

Opis	Navoj	pretok (L/min)	A (mm)	B	C (mm)	D (mm)	Velikost
K- 07 25 12 14	G 1/4	1600	51,0	112,5 mm	66,5	46,0	300
K- 07 25 12 15	G 3/8	2500	51,0	112,5 mm	66,5	46,0	300
K- 07 25 12 16	G 1/2	2500	51,0	112,5 mm	66,5	46,0	300
K- 07 25 12 17	G 3/8	6200	63,0	134,0 mm	75,5	58,5	400
K- 07 25 12 18	G 1/2	6200	63,0	134,0 mm	75,5	58,5	400

## Pribor

K-VERBINDUNGSELEMENTE	Connecting sets
K-WANDHALTER	Wall bracket
K-HALTERBAUSATZ	Holder