

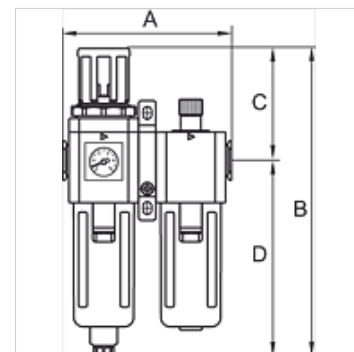
K-WTEH 2-TLG PC-BEHÄLTER S W H G-MINI

Service units, 2-piece with polycarbonate bowl and joiner for wall mounting, semi-automatic drain valve

HANSA FLEX

Lastnosti

vstopni tlak	Max. 10 bar
temperatura medija	max. 70 °C
temperatura okolice	Max. 70 °C
velikost por v filtrnem elementu	5 µm
tesnilni material	NBR
vzmetni pokrov	POM
ohišje	Die-cast aluminium
kapalni nastavek	Brass/POM
Drain valve	Semi-automatic
meritev pretoka	At P1 = 8 bar, P2 = 6 bar and pressure drop $\Delta p = 1$ bar
drugi podatki	User manual on request



Artikel

Opis	Navoj	regulacijsko območje	pretok (L/min)	A (mm)	B	C (mm)	D (mm)	Velikost
K- 07 25 14 09	G 1/8	1.5 - 9 bar	500	88,0	161,0 mm	68,0	93,0	200
K- 07 25 14 10	G 1/4	1.5 - 9 bar	500	88,0	161,0 mm	68,0	93,0	200

Pribor

K-VERSCHLEI-SATZ	Set of wearing parts
K-ERSATZMEMBRANE	Replacement diaphragm
K-ADAPTERPLATTEN HANSA	Adapter plate HANSA
K-FILTERELEMENT	Filter element
K-VERBINDUNGSELEMENTE	Connecting sets
K-WANDHALTER	Wall bracket