

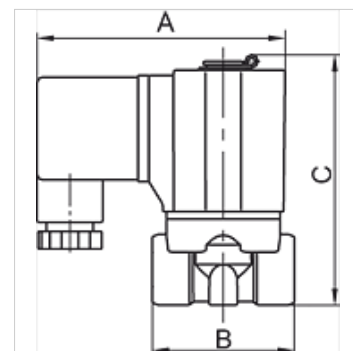
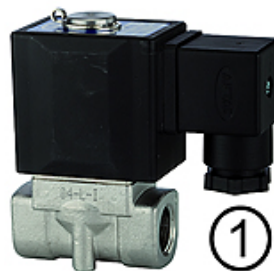
# K-MV G (NC) D 24 V DC H

Normally closed, (NC), directly operated, 24 V DC, for high pressures

**HANSA FLEX**

## Lastnosti

<b>Električni priključek</b>	device socket type A in acc. with ISO 4400 for all valves with threads G 3/8 & G 1/2, except valves type 3 & 4. Device socket
<b>opis navoja</b>	G thread acc. DIN EN ISO 228-1
<b>temperatura medija</b>	max. 80 °C when using water or oils; max. 90 °C when using with air
<b>razred zaščite</b>	IP 65
<b>maks. delovni tlak</b>	30 bar
<b>tesnilni material</b>	FPM
<b>ohišje, sedež ventila</b>	Stainless steel 1.4301
<b>notranji deli</b>	Stainless steel



## Navodilo

Drugi podatki na zahtevo.

## Opis

Standard series in two different versions: Directly operated, Pilot-operated

## Artikel

Opis	Navoj	nazivni premer	A (mm)	B (mm)	C (mm)	izvedba
K- 07 30 01 24	G 1/8	1,5	70,0	40,0	70,7	1
K- 07 30 01 25	G 1/4	1,5	70,0	40,0	70,7	1
K- 07 30 01 26	G 3/8	3,0	85,0	52,0	87,0	1
K- 07 30 01 27	G 1/2	3,0	85,0	52,0	87,0	1