

K-WANDWINKEL MS

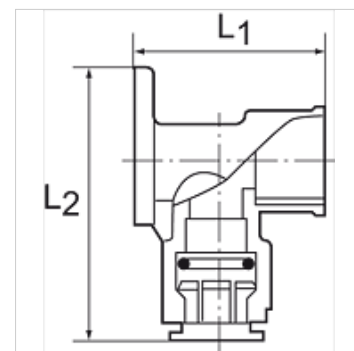
wall elbows, brass

HANSA FLEX

Lastnosti

tesnilni material NBR

Material: med



Dodatne informacije

A detailed brochure containing installation instructions and information about pipe sizing is available for this product range

Artikel

Opis	Navoj	za zunanji Ø cevi	L1 (mm)	L2 (mm)
K- 07 10 08 65	1/2 BSP	15 mm	47,0	66,4
K- 07 10 08 66	3/4 BSP	22 mm	52,0	79,0