

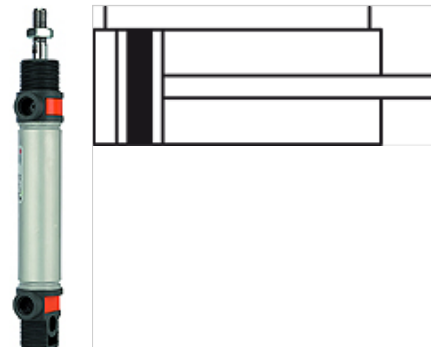
K-RUNDZYLINDER DOPP O E D

Round cylinders, double acting, magnetic, non-cushioned

HANSA FLEX

Lastnosti

Sredstva	Filtered (50 µm), unlubricated or lubricated compressed air. If lubrication is used, it must be continuous.
delovni tlak	Max. 10 bar
vklopni tlak	0,6 bar
območje temperatur:	-10 °C to +60 °C
montaža	Connection: Aluminium pipe / end caps flanged
batnica	Stainless steel 1.4301 (Ø 16), C45 steel, hard chrome-plated (Ø 20 and Ø 25)
cev	Aluminium alloy, anodised
pokrov, dno, vodilna puša	Technopolymer
tesnilo batnice	PU
tesnilo bata	PU



Navodilo

Maximum recommended stroke: Ø 16 = stroke 200, Ø 20 and Ø 25 = stroke 500. Longer strokes can result in malfunctions.
Drugi podatki na zahtevo.

Opis

Economy standard version with aluminum pipe and magnet piston.

Dodatne informacije

Important: The scope of supply does not include a connector. Please order separately.

Artikel

Opis	Ø bata	Hod (mm)	Priključek	zunanjí navoj batnice
K- 07 15 17 62	16 mm	10	M 5	M 6
K- 07 15 17 63	16 mm	25	M 5	M 6
K- 07 15 17 64	16 mm	50	M 5	M 6
K- 07 15 17 65	16 mm	80	M 5	M 6
K- 07 15 17 66	16 mm	100	M 5	M 6
K- 07 15 17 67	16 mm	125	M 5	M 6
K- 07 15 17 68	16 mm	160	M 5	M 6
K- 07 15 17 69	16 mm	200	M 5	M 6
K- 07 15 17 70	20 mm	10	G 1/8	M 8
K- 07 15 17 71	20 mm	25	G 1/8	M 8
K- 07 15 17 72	20 mm	50	G 1/8	M 8
K- 07 15 17 73	20 mm	80	G 1/8	M 8
K- 07 15 17 74	20 mm	100	G 1/8	M 8
K- 07 15 17 75	20 mm	125	G 1/8	M 8
K- 07 15 17 76	20 mm	160	G 1/8	M 8
K- 07 15 17 77	20 mm	200	G 1/8	M 8
K- 07 15 17 78	20 mm	250	G 1/8	M 8
K- 07 15 17 79	20 mm	500	G 1/8	M 8
K- 07 15 17 80	25 mm	10	G 1/8	M 10 x 1.25
K- 07 15 17 81	25 mm	25	G 1/8	M 10 x 1.25
K- 07 15 17 82	25 mm	50	G 1/8	M 10 x 1.25
K- 07 15 17 83	25 mm	80	G 1/8	M 10 x 1.25
K- 07 15 17 84	25 mm	100	G 1/8	M 10 x 1.25
K- 07 15 17 85	25 mm	125	G 1/8	M 10 x 1.25
K- 07 15 17 86	25 mm	160	G 1/8	M 10 x 1.25
K- 07 15 17 87	25 mm	200	G 1/8	M 10 x 1.25
K- 07 15 17 88	25 mm	250	G 1/8	M 10 x 1.25
K- 07 15 17 89	25 mm	500	G 1/8	M 10 x 1.25

Pribor

K-FUSSBEFESTIGUNG 5	Foot model
K-FLANSCHBEFESTIGUNGEN1	Flange model
K-KOPFMUTTER DECKEL BODEN 2	Hexagon nut (for head)



Kljub skrbnemu preverjanju napak ne moremo izključiti in za informacije, ki so tu navedene, ne prevzemamo nobene odgovornosti.

05.06.2026

HANSA-FLEX AG

www.hansa-flex.com

1

K-RUNDZYLINDER DOPP O E D

Round cylinders, double acting, magnetic, non-cushioned

HANSA FLEX