

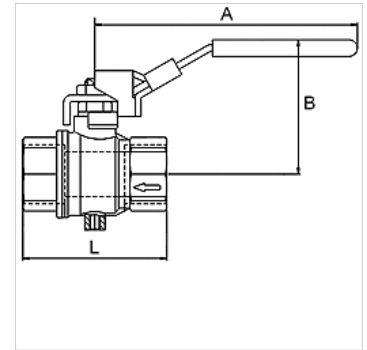
K-S-BKR M ENTL-BOHR ABSCHL

Safety ball valves, lockable, with relief port

HANSA FLEX

Lastnosti

delovna temperatura	-10 °C to + 100 °C (depending on operating pressure)
odzračevalna izvrtina	M 5 (>1": Relief port G 1/4")
opis navoja	Rp thread acc. to EN 10226
ohišje	Nickel-plated brass
ročica	Steel - PVC coated
krogla	hardchrome-plated brass
tesnilo krogle	PTFE
tesnilo vretena	PTFE



Navodilo

G thread acc. to DIN EN ISO 228-1, with ISO flange plate (acc. to ISO 5211)

Drugi podatki na zahtevo.

Opis

2/2-way safety ball valves, two parts, made of nickel-plated brass. Specially designed for pneumatic applications. The valve shuts off the supply line and bleeds the application area. Lockable hand lever in closed position.

Dodatne informacije

The price does not include a padlock. Please order separately.

Artikel

Opis	DN	Navoj	PN (bar)	A (mm)	B (mm)	L (mm)
K- 07 30 29 29	8	Rp 1/4	14	96,0	49,0	45,0
K- 07 30 29 30	10	Rp 3/8	14	96,0	49,0	45,0
K- 07 30 29 31	15	Rp 1/2	14	96,0	51,0	59,0
K- 07 30 29 32	20	Rp 3/4	14	117,0	60,0	64,0
K- 07 30 29 33	25	Rp 1	14	117,0	64,0	81,0
K- 07 30 29 34	32	Rp 1 1/4	14	157,0	80,0	93,0
K- 07 30 29 35	40	Rp 1 1/2	14	157,0	86,0	102,0
K- 07 30 29 36	50	Rp 2	14	157,0	93,0	121,0

Pribor

K-VORHAENGESCHLOSS Padlock