

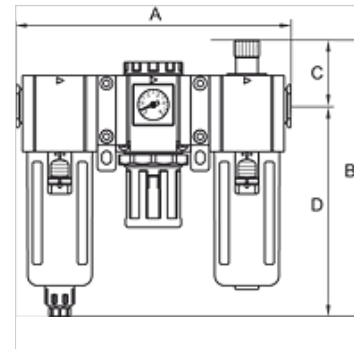
K-WTEH 3-TLG MET SICHT WAND H G

Service units, 3-piece with metal bowl, sight glass and joiner for wall mounting, semi-automatic drain valve

HANSA FLEX

Lastnosti

vstopni tlak	Max. 10 bar
temperatura medija	max. 70 °C
temperatura okolice	Max. 70 °C
velikost por v filtrnem elementu	5 µm
tesnilni material	NBR
vzmetni pokrov	POM
ohišje	Die-cast aluminium
kapalni nastavek	Brass/POM
Drain valve	Semi- or fully-automatic
meritev pretoka	At P1 = 8 bar, P2 = 6 bar and pressure drop $\Delta p = 1$ bar
drugi podatki	User manual on request



Artikel

Opis	Navoj	regulacijsko območje	pretok (L/min)	A (mm)	B (mm)	C (mm)	D (mm)	Velikost
K- 07 25 14 31	G 3/4	1.5 - 9 bar	3750	295,0	280,5 mm	61,5	219,0	600
K- 07 25 14 33	G 1	1.5 - 9 bar	3750	295,0	280,5 mm	61,5	219,0	600

Pribor

K-VERSCHLEI-SATZ	Set of wearing parts
K-ERSATZMEMBRANE	Replacement diaphragm
K-ADAPTERPLATTEN HANSA	Adapter plate HANSA
K-FILTERELEMENT	Filter element
K-ERSATZBEHAELTER G UND G-MINI POLY	Spare tanks »G« Series and »G-minik« Series Polycarbonat
K-VERBINDUNGELEMENTE	Connecting sets
K-WANDHALTER	Wall bracket