

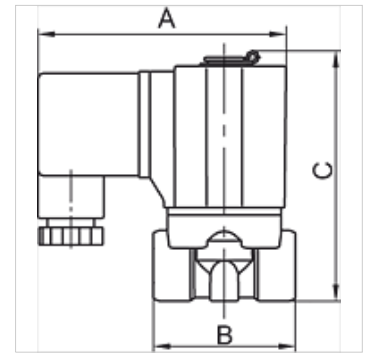
K-MV O (NO) D 230 V, 50 HZ H

Normally open, (NO), directly operated, 230 V, 50 Hz, for high pressures

HANSA FLEX

Lastnosti

Električni priključek	device socket type A in acc. with ISO 4400 for all valves with threads G 3/8 & G 1/2, except valves type 3 & 4. Device socket
razred zaščite	IP 65
temperatura medija	max. 80 °C when using water or oils; max. 90 °C when using with air
opis navoja	G thread acc. DIN EN ISO 228-1
ohišje, sedež ventila	Brass
notranji deli	Stainless steel
tesnilo	FPM



Navodilo

Drugi podatki na zahtevo.

Opis

Standard series in two different versions: Directly operated, Pilot-operated. For all applications with compressed air, neutral gases or low-viscosity, neutral media.

Artikel

Opis	Navoj	najv. obratovalni tlak (bar)	nazivni premer	A (mm)	B (mm)	C (mm)	izvedba
K- 07 30 01 82	G 1/8	20	1,5	70,0	40,0	76,0	2
K- 07 30 01 83	G 1/4	20	1,5	70,0	40,0	76,0	2
K- 07 30 01 84	G 3/8	20	3,0	85,0	52,0	92,0	2
K- 07 30 01 85	G 1/2	20	3,0	85,0	52,0	92,0	2