

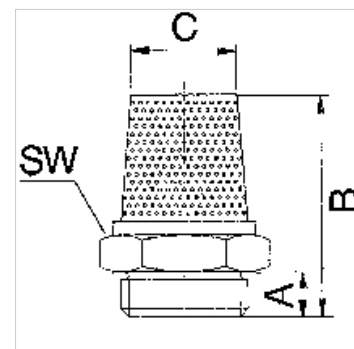
# K-SCHALLDAE SINTERBR S 1

Silencers, sintered bronze, slotted

**HANSA FLEX**

## Lastnosti

Obratovalni tlak	maks. 10 bar
delovna temperatura	-10 °C to +200 °C
raven hrupa 6 bar	80 ~ 90 dB(A)



## Opis

For reducing the exhaust noise generated by pneumatic equipment.

## Artikel

Opis	Navoj	A (mm)	B (mm)	C (mm)
K- 07 40 35 07	G 1/8	5,5	21,0	8,0
K- 07 40 35 08	G 1/4	8,5	27,0	10,0
K- 07 40 35 09	G 3/8	11,0	36,0	15,0
K- 07 40 35 10	G 1/2	11,0	44,0	19,0