

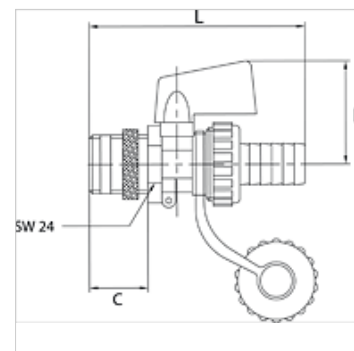
# K-KFE-BKR

KFE-ball valves

**HANSA FLEX**

## Lastnosti

|                                   |               |
|-----------------------------------|---------------|
| Obratovalni tlak                  | maks. 10 bar  |
| temperatura medija                | max. +110 °C  |
| tulci                             | I.D. 13       |
| ročica                            | Die cast zinc |
| krogla, tesnilo rezalnega obroča  | PTFE          |
| tesnilo vretena, cevna puša, kapa | EPDM          |



## Navodilo

Drugi podatki na zahtevo.

## Opis

Boiler, filling and drain valves for heating systems.

## Artikel

| Opis           | Navoj | B<br>(mm) | C<br>(mm) | L<br>(mm) | Material:                       |
|----------------|-------|-----------|-----------|-----------|---------------------------------|
| K- 07 30 30 34 | G 1/2 | 37,0      | 20,0      | 74,6      | Brass with a bare metal surface |
| K- 07 30 30 35 | G 1/2 | 37,0      | 20,0      | 74,6      | Nickel-plated brass             |