

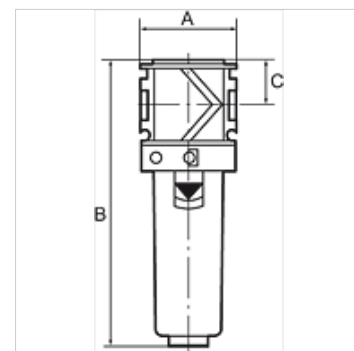
K-FI AK KOH PC-BEHAEEL SI VARIOBLOC

Activated carbon filters with polycarbonate bowl and bowl guard

HANSA FLEX

Lastnosti

| | |
|------------------------------------|--|
| vstopni tlak | Max. 16 bar (polycarbonate bowl), Max. 20 bar (metal bowl) |
| temperatura medija | max. 50 °C |
| temperatura okolice | Max. 50 °C (polycarbonate bowl), Max. 80 °C (metal bowl) |
| kakovost zraka po ISO 85731 | Class 1 dirt, class 1 oil |
| preostanek olja | 0,003 mg/m ³ |
| meritev pretoka | At P1 = 7 bar and pressure drop $\Delta p = 0,1$ bar |



Navodilo

Activated carbon filters are also supplied with protective cage or metal container.

Drugi podatki na zahtevo.

Opis

The activated carbon filter absorbs oil vapour from the compressed air. The entering compressed air needs to be dry and free of contaminants (an upstream microfilter is strongly recommended).

Artikel

| Opis | Navoj | pretok (L/min) | A (mm) | B | C (mm) |
|----------------|-------|-------------------|-----------|----------|-----------|
| K- 07 25 23 12 | G 1/4 | 800 | 48,0 | 142,0 mm | 22,0 |
| K- 07 25 23 13 | G 3/8 | 1000 | 48,0 | 142,0 mm | 22,0 |
| K- 07 25 23 14 | G 1/2 | 1200 | 70,0 | 193,0 mm | 26,0 |
| K- 07 25 23 15 | G 3/4 | 1300 | 70,0 | 193,0 mm | 26,0 |
| K- 07 25 23 16 | G 1 | 1300 | 124,0 | 193,0 mm | 26,0 |