

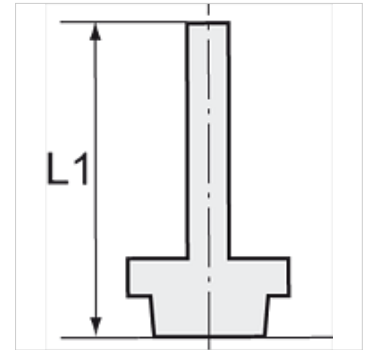
# K-GEWINDE-STECKNIPPEL AGR OR

Push-in plug, parallel male thread with O-ring

**HANSA FLEX**

## Lastnosti

delovni tlak	Max. 16 bar
delovna temperatura	-20 °C to +80 °C
Material:	ponikljana medenina
potisni obroč	Hostaform
tesnilni obroč	NBR
vpenjalni obroč	Stainless steel



## Navodilo

Drugi podatki na zahtevo.

## Opis

The advanced version of our highly successful push-in fittings series manufactured in nickel-plated brass. Advantages of this new, optimised series: Much easier connection and disconnection of the hose, even with repeated mounting, can also be used for non-calibrated hoses, suitable for vacuum operation.

## Artikel

Opis	Navoj	za zunanji Ø mm cevi	L1 (mm)	zev ključa
K- 07 40 47 32	M 5	3 mm	17,1	5 mm
K- 07 40 47 33	M 5	4 mm	25,2	8 mm
K- 07 40 47 34	M 5	5 mm	25,2	8 mm
K- 07 40 47 35	M 5	6 mm	25,7	9 mm
K- 07 40 47 45	G 1/8	4 mm	28,9	13 mm
K- 07 40 47 46	G 1/8	5 mm	28,9	13 mm
K- 07 40 47 47	G 1/8	6 mm	29,4	13 mm
K- 07 40 47 48	G 1/8	8 mm	30,6	13 mm
K- 07 40 47 41	G 1/4	4 mm	32,4	14 mm
K- 07 40 47 42	G 1/4	5 mm	32,4	14 mm
K- 07 40 47 43	G 1/4	6 mm	32,9	14 mm
K- 07 40 47 44	G 1/4	8 mm	34,0	14 mm
K- 07 40 47 39	G 1/4	10 mm	38,2	14 mm
K- 07 40 47 40	G 1/4	12 mm	40,7	14 mm
K- 07 40 47 52	G 3/8	8 mm	35,4	17 mm
K- 07 40 47 49	G 3/8	10 mm	38,7	17 mm
K- 07 40 47 50	G 3/8	12 mm	42,2	17 mm
K- 07 40 47 51	G 3/8	14 mm	46,2	17 mm
K- 07 40 47 36	G 1/2	10 mm	41,0	19 mm
K- 07 40 47 37	G 1/2	12 mm	44,2	22 mm
K- 07 40 47 38	G 1/2	14 mm	48,2	22 mm