

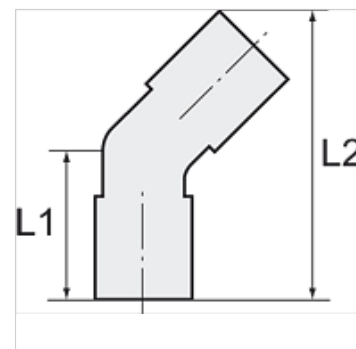
K-STECKNIPPEL 45°

45° elbow connectors with push-in plug

HANSA FLEX

Lastnosti

delovni tlak	Max. 15 bar, coarse vacuum
Območje uporabe	Air, vacuum
priporočene cevi	PU or PA (nylon)
Sredstva	Compressed air and all gases or liquids that are compatible with the materials
območje temperatur:	-20 °C to +80 °C
Material:	Plastic, Nickel plated brass
potisni obroč	Plastic



Navodilo

Drugi podatki na zahtevo.

Opis

Push-in fittings series manufactured in plastic and nickel-plated brass. All parts are suitable for use with hoses, tubes or pipes made of plastic and copper.

Artikel

Opis	za zunanji Ø mm cevi	L1 (mm)	L2 (mm)	vtični priključek (mm)
K- 07 40 04 88	4 mm	16,2	46,7	4
K- 07 40 04 89	6 mm	17,4	51,2	6
K- 07 40 04 90	8 mm	20,5	60,0	8
K- 07 40 04 91	10 mm	23,1	68,8	10
K- 07 40 04 92	12 mm	26,0	76,1	12