

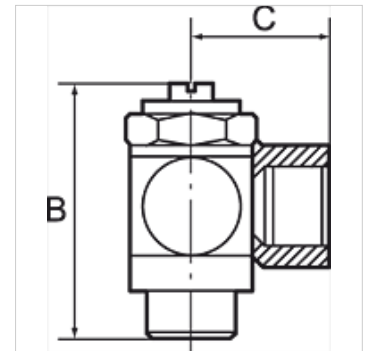
# K-DRV GEW V SCHLITZ

Unidirectional flow control valves, incoming air restriction (»V«), screw connection

**HANSA FLEX**

## Lastnosti

Obratovalni tlak	maks. 10 bar
območje temperatur:	0 °C to +70 °C
votli vijak, vrtljiva ročica, regulirni vijak	Nickel-plated brass
notranji deli	Brass with a bare metal surface
tesnilo z zavahkom tesnilnega obroča	NBR
tesnila (neizgubljiva)	Polyamide (glass fibre-reinforced)



## Navodilo

Drugi podatki na zahtevo.

## Opis

For fine regulation of a cylinder piston speed in the forward and return motion and precise control of flow rates. Designed as a banjo-type valve with a hollow bolt and ring piece. Can be screwed directly onto the valve or cylinder to restrict the incoming air. Compact type of construction, also ideal where space is restricted.

## Artikel

Opis	Priključek	C (mm)	Navoj	zev ključa	B (mm)
K- 07 15 25 21	M 5 female thread	11,5	M 5	8 mm	24,5
K- 07 15 05 70	G 1/8 female thread	16,0	G 1/8	14 mm	32,0
K- 07 15 05 66	G 1/4 female thread	22,0	G 1/4	17 mm	40,0
K- 07 15 25 22	G 3/8 female thread	26,0	G 3/8	20 mm	50,0