

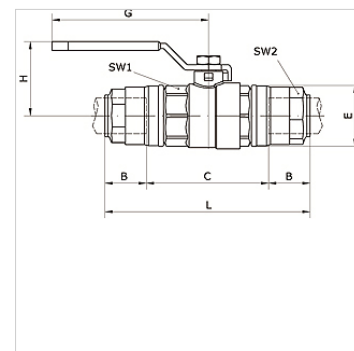
# K-2-BK V DURCHG INFI

2/2-way ball valve Ø 20 mm - Ø 63 mm full bore

**HANSA FLEX**

## Lastnosti

|                            |                                     |
|----------------------------|-------------------------------------|
| <b>Sredstva</b>            | Compressed air, vacuum, inert gases |
| <b>Obratovalni tlak</b>    | -0,99 bar - 15 bar                  |
| <b>območje temperatur:</b> | -20 °C to +80 °C                    |
| <b>tesnilo</b>             | NBR                                 |
| <b>ohišje</b>              | Nickel-plated brass                 |
| <b>zatični obroč</b>       | Stainless steel 1.4301              |
| <b>matica</b>              | Aluminium                           |
| <b>tesnilni obroč</b>      | NBR                                 |
| <b>varovalni obroč</b>     | Technopolymer                       |



## Artikel

| Opis                  | zunANJI Ø cevi | B<br>(mm) | C<br>(mm) | DN | E<br>(mm) | G<br>(mm) | H<br>(mm) | L<br>(mm) | zEV ključa 1<br>(mm) | zEV ključa 2<br>(mm) |
|-----------------------|----------------|-----------|-----------|----|-----------|-----------|-----------|-----------|----------------------|----------------------|
| <b>K- 07 40 55 05</b> | 63 mm          | 57,5      | 38,0      | 59 | 94,0      | 240       | 111,5     | 232,0     | 89                   | 75                   |