

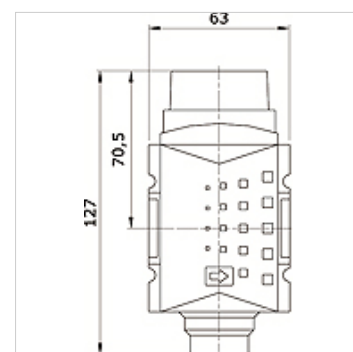
# K-3WBK HANSA PRO

## 3/2-way ball valve, HANSA PRO

**HANSA FLEX**

### Lastnosti

Sredstva	stisnjen zrak
vrsta pritrditve	Line mounting, mounting kit or wall mounting
sprožitev / varovalka	lockable with key lock
Vgradna lega	Any
nazivni pretok G 1/2	11.000 l/min (P1 = 6 bar/Delta P = 1 bar)
nazivni pretok G 3/8	7.250 l/min (P1 = 6 bar/Delta P = 1 bar)
PE maks. 11	16 bar



### Artikel

Opis	Priključek	Velikost
K- 07 25 22 54	G 3/8 i	2
K- 07 25 22 55	G 1/2 i	2

### Pribor

K-STECKSCHLOSS	Key lock
----------------	----------