

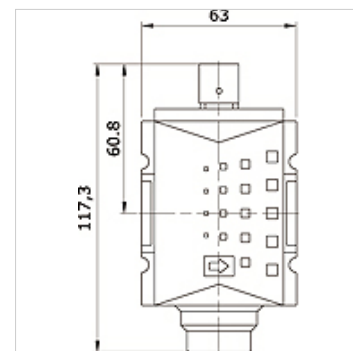
K-3WSV PNEU HANSA PRO

3/2-way poppet valve pneumatically actuated, HANSA PRO

HANSA FLEX

Lastnosti

temperatura medija	-10 °C to +50 °C
temperatura okolice	-10 °C to +50 °C
Sredstva	stisnjen zrak
vrsta pritrditve	Line mounting, mounting kit or wall mounting
sporožitev	Pneumatic
Vgradna lega	Any
nazivni pretok G 1/2	5.200 l/min (P1 = 6 bar/Delta P = 1 bar)
nazivni pretok G 3/8	4.300 l/min (P1 = 6 bar/Delta P = 1 bar)
PE maks. 11	16 bar
ohišje	PA66



Artikel

Opis	Priključek	Velikost
K- 07 25 22 58	G 3/8 i	2
K- 07 25 22 59	G 1/2 i	2