

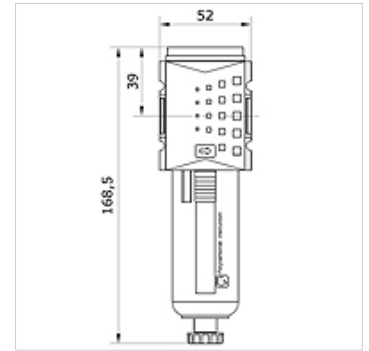
K-FI FEIN HANSA PRO

Compressed air fine filter, with manual/semi-automatic condensate drain, HANSA PRO

HANSA FLEX

Lastnosti

temperatura medija	-10 °C to +50 °C
temperatura okolice	-10 °C to +50 °C
Sredstva	stisnjen zrak
Način izdelave	fiber filter
vrsta pritrditve	Line mounting, mounting kit or wall mounting
Vgradna lega	Vertical, drain down
finoča filtra	0,01 µm
izkoristek filtra	99.999 %
nazivni pretok G 1/2	750 l/min (P1 = 6 bar/Delta P = 0,1 bar)
nazivni pretok G 3/8	750 l/min (P1 = 6 bar/Delta P = 0,1 bar)
Pe maks.	16 bar
filtrirni element	Borsilicate-Al
ohišje	PA66
preostanek olja	0,01 mg/m3



Artikel

Opis	Priključek	posoda	Velikost	izpust kondenzata
K- 07 25 21 28	G 3/8 i	polycarbonate with protective cage	2	manual / semi-automatic
K- 07 25 21 29	G 1/2 i	polycarbonate with protective cage	2	manual / semi-automatic
K- 07 25 21 30	G 3/8 i	zinc with visual display	2	manual / semi-automatic
K- 07 25 21 31	G 1/2 i	zinc with visual display	2	manual / semi-automatic