

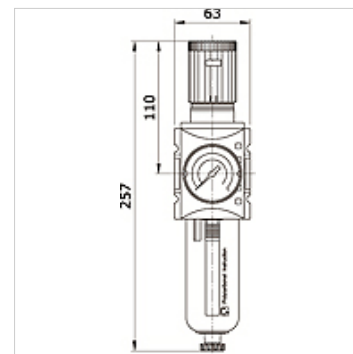
# K-FI REG MANO HANSA PRO

Filter regulator, HANSA PRO2 with manual/semi-automatic condensate drain and pressure gauge, HANSA PRO

**HANSA FLEX**

## Lastnosti

|                           |   |
|---------------------------|---|
| temperatura medija        | -10 °C to +50 °C  |
| temperatura okolice       | -10 °C to +50 °C  |
| Sredstva                  | stisnjen zrak   |
| Način izdelave            | Diaphragm pressure regulator with relieving, centrifugal filter                                   |
| vrsta pritrditve          | Line mounting, panel mounting, mounting kit or wall mounting                                      |
| sprožitev / varovalka     | lockable handwheel  |
| Vgradna lega              | Vertical, drain down  |
| finoča filtra             | 5,00 µm   |
| priključek manometra      | G 1/4 i   |
| maks. količina kondenzata | 49 cc   |
| nazivni pretok G 1/2      | 5.200 l/min (P1 = 10 bar, P2 = 6,3 bar/Delta P = 1 bar)   |
| nazivni pretok G 3/8      | 4.300 l/min (P1 = 10 bar, P2 = 6,3 bar/Delta P = 1 bar)   |
| PE maks. 4                | Pa 0,5 - 8 bar (Standard)Pa 0,1 - 1 barPa 0,1 - 2 barPa 0,2 - 4 barPa 0,5 - 10 barPa 0,5 - 16 bar |
| PE maks. 6                | 16 bar  |
| filtrirni element         | Cellpor   |
| ohišje                    | PA66  |
| membrana, tesnila         | Ms/NBR/PA6  |



## Artikel

| Opis           | Priključek | regulacijsko območje | območja prikaza | posoda                             | Velikost | izpust kondenzata       |
|----------------|------------|----------------------|-----------------|------------------------------------|----------|-------------------------|
| K- 07 25 21 60 | G 3/8 i    | 0.1 - 1 bar          | 0 - 1,6 bar     | polycarbonate with protective cage | 2        | manual / semi-automatic |
| K- 07 25 21 61 | G 3/8 i    | 0.1 - 2 bar          | 0 - 2,5 bar     | polycarbonate with protective cage | 2        | manual / semi-automatic |
| K- 07 25 21 62 | G 3/8 i    | 0.2 - 4 bar          | 0 - 6 bar       | polycarbonate with protective cage | 2        | manual / semi-automatic |
| K- 07 25 21 63 | G 3/8 i    | 0.5 - 8 bar          | 0 - 10 bar      | polycarbonate with protective cage | 2        | manual / semi-automatic |
| K- 07 25 21 64 | G 3/8 i    | 0.5 - 10 bar         | 0 - 16 bar      | polycarbonate with protective cage | 2        | manual / semi-automatic |
| K- 07 25 21 65 | G 3/8 i    | 0.5 - 16 bar         | 0 - 25 bar      | polycarbonate with protective cage | 2        | manual / semi-automatic |
| K- 07 25 21 66 | G 1/2 i    | 0.1 - 1 bar          | 0 - 1,6 bar     | polycarbonate with protective cage | 2        | manual / semi-automatic |
| K- 07 25 21 67 | G 1/2 i    | 0.1 - 2 bar          | 0 - 2,5 bar     | polycarbonate with protective cage | 2        | manual / semi-automatic |
| K- 07 25 21 68 | G 1/2 i    | 0.2 - 4 bar          | 0 - 6 bar       | polycarbonate with protective cage | 2        | manual / semi-automatic |
| K- 07 25 21 69 | G 1/2 i    | 0.5 - 8 bar          | 0 - 10 bar      | polycarbonate with protective cage | 2        | manual / semi-automatic |
| K- 07 25 21 70 | G 1/2 i    | 0.5 - 10 bar         | 0 - 16 bar      | polycarbonate with protective cage | 2        | manual / semi-automatic |
| K- 07 25 21 71 | G 1/2 i    | 0.5 - 16 bar         | 0 - 25 bar      | polycarbonate with protective cage | 2        | manual / semi-automatic |
| K- 07 25 21 72 | G 3/8 i    | 0.1 - 1 bar          | 0 - 1,6 bar     | zinc with visual display           | 2        | manual / semi-automatic |
| K- 07 25 21 73 | G 3/8 i    | 0.1 - 2 bar          | 0 - 2,5 bar     | zinc with visual display           | 2        | manual / semi-automatic |
| K- 07 25 21 74 | G 3/8 i    | 0.2 - 4 bar          | 0 - 6 bar       | zinc with visual display           | 2        | manual / semi-automatic |
| K- 07 25 21 75 | G 3/8 i    | 0.5 - 8 bar          | 0 - 10 bar      | zinc with visual display           | 2        | manual / semi-automatic |
| K- 07 25 21 76 | G 3/8 i    | 0.5 - 10 bar         | 0 - 16 bar      | zinc with visual display           | 2        | manual / semi-automatic |
| K- 07 25 21 77 | G 3/8 i    | 0.5 - 16 bar         | 0 - 25 bar      | zinc with visual display           | 2        | manual / semi-automatic |
| K- 07 25 21 78 | G 1/2 i    | 0.1 - 1 bar          | 0 - 1,6 bar     | zinc with visual display           | 2        | manual / semi-automatic |
| K- 07 25 21 79 | G 1/2 i    | 0.1 - 2 bar          | 0 - 2,5 bar     | zinc with visual display           | 2        | manual / semi-automatic |
| K- 07 25 21 80 | G 1/2 i    | 0.2 - 4 bar          | 0 - 6 bar       | zinc with visual display           | 2        | manual / semi-automatic |
| K- 07 25 21 81 | G 1/2 i    | 0.5 - 8 bar          | 0 - 10 bar      | zinc with visual display           | 2        | manual / semi-automatic |
| K- 07 25 21 82 | G 1/2 i    | 0.5 - 10 bar         | 0 - 16 bar      | zinc with visual display           | 2        | manual / semi-automatic |
| K- 07 25 21 83 | G 1/2 i    | 0.5 - 16 bar         | 0 - 25 bar      | zinc with visual display           | 2        | manual / semi-automatic |