

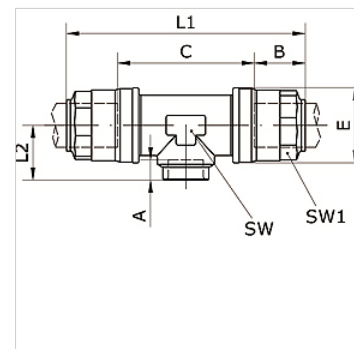
K-T-STECK VB 20-63 SCHANH IG INFI

T-push-in connector Ø 20 mm – Ø 63 mm with integrated gooseneck and internal thread

HANSA FLEX

Lastnosti

Sredstva	Compressed air, vacuum, inert gases
Obratovalni tlak	-0,99 bar - 15 bar
območje temperatur:	-20 °C to +80 °C
tesnilo	NBR
ohišje	Aluminium
zatični obroč	Stainless steel 1.4301
matica	Aluminium
tesnilni obroč	NBR
varovalni obroč	Technopolymer



Artikel

Opis	zunanji Ø cevi	Priključek	A (mm)	B (mm)	C (mm)	E (mm)	L1 (mm)	L2 (mm)	SW (mm)	zav ključa 1 (mm)
K- 07 40 55 02	63 mm	G 1/2"	13,5	57,5	88,0	94,0	203,0	53,0	80	75
K- 07 40 55 01	63 mm	G 3/4	14,5	57,5	88,0	94,0	203,0	54,0	80	75
K- 07 40 55 03	63 mm	G 1	17,5	57,5	88,0	94,0	203,0	56,5	80	75