

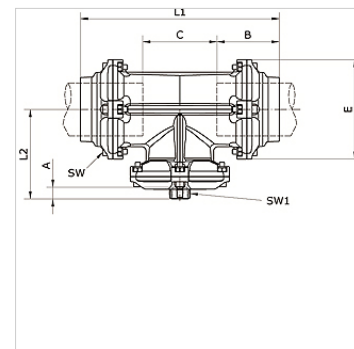
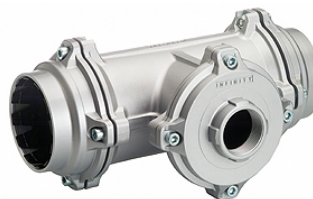
K-T-STECK VB 80-100 RED ABG INFI

T-push-in connector Ø 80 mm/Ø 110 mm with reduced outlet and female thread

HANSA FLEX

Lastnosti

Sredstva	Compressed air, vacuum, inert gases
Obratovni tlak	-0,99 bar - 15 bar
območje temperatur:	-20 °C to +80 °C
vodilni obroč	Technopolymer
ohišje	Aluminium, treated surface
inbus vijak	Galvanised steel
zatični obroč	Stainless steel 1.4301
matica	Aluminium, surface treated
tesnilni obroč	NBR
samovarovalna matica	Galvanised steel
varovalni obroč	Technopolymer



Artikel

Opis	zunANJI Ø cevi	Priključek	A (mm)	B (mm)	C (mm)	E (mm)	L1 (mm)	L2 (mm)	SW (mm)	zEV ključa 1 (mm)
K- 07 40 55 21	80 - 80 mm	G 3/4	14,5	91,0	109,0	145,0	291,5	138,0	6	42
K- 07 40 54 68	110 - 110 mm	G 3/4	14,5	125,5	150,5	200,0	401,0	180,0	8	42