

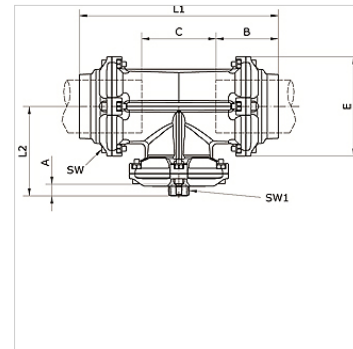
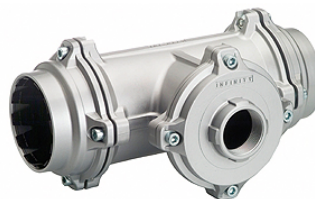
K-T-STECK VB 80-100 SCHANH RED INFI

T-push-in connector Ø 80 mm/Ø 110 mm with integrated gooseneck and reduced outlet with female thread

HANSA FLEX

Lastnosti

Sredstva	Compressed air, vacuum, inert gases
Obratovni tlak	-0,99 bar - 15 bar
območje temperatur:	-20 °C to +80 °C
vodilni obroč	Technopolymer
ohišje	Aluminium, treated surface
inbus vijak	Galvanised steel
zatični obroč	Stainless steel 1.4301
matica	Aluminium, surface treated
tesnilni obroč	NBR
samovarovalna matica	Galvanised steel
varovalni obroč	Technopolymer



Artikel

Opis	zunanjí Ø cevi	Priključek	A (mm)	B (mm)	C (mm)	E (mm)	L1 (mm)	L2 (mm)	SW (mm)	zav ključa 1 (mm)
K- 07 40 55 17	80 - 80 mm	G 3/4	14,5	91,0	109,0	145,0	291,5	138,0	6	42
K- 07 40 55 18	80 - 80 mm	G 1	17,0	91,0	109,0	145,0	291,5	138,0	6	49
K- 07 40 55 19	80 - 80 mm	G 1 1/2	20,0	91,0	109,0	145,0	291,5	138,0	6	66
K- 07 40 55 20	80 - 80 mm	G 2	22,0	91,0	109,0	145,0	291,5	138,0	6	80
K- 07 40 54 69	110 - 110 mm	G 3/4	14,5	125,5	150,5	200,0	401,0	180,0	8	42
K- 07 40 54 70	110 - 110 mm	G 1	17,0	125,5	150,5	200,0	401,0	180,0	8	49
K- 07 40 54 71	110 - 110 mm	G 1 1/2	20,0	125,5	150,5	200,0	401,0	180,0	8	66
K- 07 40 54 72	110 - 110 mm	G 2	22,0	125,5	150,5	200,0	401,0	180,0	8	80