

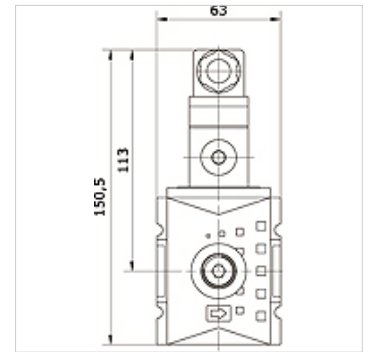
# K-VERTEILER 3-FACH HANSA PRO

Distributor 3-fold with pressure switch, HANSA PRO

**HANSA FLEX**

## Lastnosti

temperatura medija	-10 °C to +50 °C
temperatura okolice	-10 °C to +50 °C
Sredstva	stisnjen zrak
vrsta pritrditve	Line mounting, mounting kit or wall mounting
Vgradna lega	Any
območje nastavitve	0,3 - 2 bar
nazivni pretok G 1/2	11.000 l/min (P1 = 6 bar/Delta P = 1 bar)
nazivni pretok G 3/8	7.250 l/min (P1 = 6 bar/Delta P = 1 bar)
nazivni pretok zadaj (P – E)	2.250 l/min (P1 = 6 bar/Delta P = 1 bar)
nazivni pretok zgoraj (P – D)	2.250 l/min (P1 = 6 bar/Delta P = 1 bar)
nazivni pretok spodaj (P – B)	5.500 l/min (P1 = 6 bar/Delta P = 1 bar)
nazivni pretok spredaj (P – C)	2.250 l/min (P1 = 6 bar/Delta P = 1 bar)
PE maks. 11	16 bar
ohišje	PA66



## Artikel

Opis	priključek P + A	priključek B	priključek C	priključek D	priključek E	Rapočni tlak (bar)	Velikost
K- 07 25 22 38	G 3/8 i	G 1/2 i	G 3/8 i	G 1/4 i	G 3/8 i	5	2
K- 07 25 22 39	G 3/8 i	G 1/2 i	G 3/8 i	G 1/4 i	G 3/8 i	10	2
K- 07 25 22 40	G 3/8 i	G 1/2 i	G 3/8 i	G 1/4 i	G 3/8 i	20	2
K- 07 25 22 41	G 3/8 i	G 1/2 i	G 3/8 i	G 1/4 i	G 3/8 i	25	2
K- 07 25 22 42	G 1/2 i	G 1/2 i	G 3/8 i	G 1/4 i	G 3/8 i	5	2
K- 07 25 22 43	G 1/2 i	G 1/2 i	G 3/8 i	G 1/4 i	G 3/8 i	10	2
K- 07 25 22 44	G 1/2 i	G 1/2 i	G 3/8 i	G 1/4 i	G 3/8 i	20	2
K- 07 25 22 45	G 1/2 i	G 1/2 i	G 3/8 i	G 1/4 i	G 3/8 i	25	2