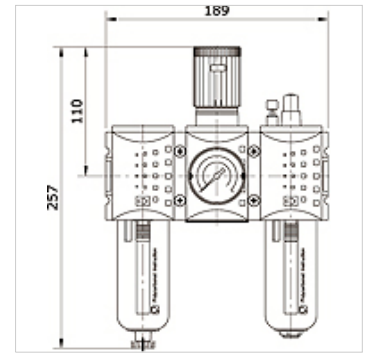


# K-WTEH 3-TEILIG HANSA PRO

3-part service unit, with manual/semi-automatic condensate drain and pressure gauge, HANSA PRO

**HANSA FLEX**

Lastnosti	
izhodni tlak	Pa 0,5 - 8 bar (Standart) Pa 0,1 - 1 bar Pa 0,1 - 2 bar Pa 0,2 - 4 bar Pa 0,5 - 10 bar Pa 0,5 - 16 bar
temperatura medija	-10 °C to +50 °C
temperatura okolice	-10 °C to +50 °C
Sredstva	stisnjen zrak
Način izdelave	Centrifugal filter membrane pressure regulator with relieving, fog lubricator
vrsta pritrditve	Line mounting, panel mounting, mounting kit or wall mounting
sprožitev / varovalka	lockable handwheel
Vgradna lega	Vertical, drain down
finoča filtra	5,00 µm
priključek manometra	G 1/4 i
maks. količina kondenzata	49 cc
maks. količina olja	80 cc
nazivni pretok G 1/2	3.500 l/min (P1 = 10 bar, P2 = 6,3 bar/Delta P = 1 bar)
nazivni pretok G 3/8	3.500 l/min (P1 = 10 bar, P2 = 6,3 bar/Delta P = 1 bar)
doziranje olja pri qv=1000 l/min	1-2 drops / min (guideline)
PE maks. 12	16 bar
filtrirni element	Cellpor
ohišje	PA66
membrana, tesnila	Ms/NBR/PA6
kapalni nastavek	Polycarbonate
vrsta olja	CL 32 acc. to DIN 51517 - ISO VG 32



## Artikel

Opis	Priključek	regulacijsko območje	območja prikaza	posoda	Velikost	izpust kondenzata
K- 07 25 22 12	G 3/8 i	0.1 - 1 bar	0 - 1,6 bar	polycarbonate with protective cage	2	manual / semi-automatic
K- 07 25 22 13	G 3/8 i	0.1 - 2 bar	0 - 2,5 bar	polycarbonate with protective cage	2	manual / semi-automatic
K- 07 25 22 14	G 3/8 i	0.2 - 4 bar	0 - 6 bar	polycarbonate with protective cage	2	manual / semi-automatic
K- 07 25 22 15	G 3/8 i	0.5 - 8 bar	0 - 10 bar	polycarbonate with protective cage	2	manual / semi-automatic
K- 07 25 22 16	G 3/8 i	0.5 - 10 bar	0 - 16 bar	polycarbonate with protective cage	2	manual / semi-automatic
K- 07 25 22 17	G 3/8 i	0.5 - 16 bar	0 - 25 bar	polycarbonate with protective cage	2	manual / semi-automatic
K- 07 25 22 18	G 1/2 i	0.1 - 1 bar	0 - 1,6 bar	polycarbonate with protective cage	2	manual / semi-automatic
K- 07 25 22 19	G 1/2 i	0.1 - 2 bar	0 - 2,5 bar	polycarbonate with protective cage	2	manual / semi-automatic
K- 07 25 22 20	G 1/2 i	0.2 - 4 bar	0 - 6 bar	polycarbonate with protective cage	2	manual / semi-automatic
K- 07 25 22 21	G 1/2 i	0.5 - 8 bar	0 - 10 bar	polycarbonate with protective cage	2	manual / semi-automatic
K- 07 25 22 22	G 1/2 i	0.5 - 10 bar	0 - 16 bar	polycarbonate with protective cage	2	manual / semi-automatic
K- 07 25 22 23	G 1/2 i	0.5 - 16 bar	0 - 25 bar	polycarbonate with protective cage	2	manual / semi-automatic
K- 07 25 22 24	G 3/8 i	0.1 - 1 bar	0 - 1,6 bar	zinc with visual display	2	manual / semi-automatic
K- 07 25 22 25	G 3/8 i	0.1 - 2 bar	0 - 2,5 bar	zinc with visual display	2	manual / semi-automatic
K- 07 25 22 26	G 3/8 i	0.2 - 4 bar	0 - 6 bar	zinc with visual display	2	manual / semi-automatic
K- 07 25 22 27	G 3/8 i	0.5 - 8 bar	0 - 10 bar	zinc with visual display	2	manual / semi-automatic
K- 07 25 22 28	G 3/8 i	0.5 - 10 bar	0 - 16 bar	zinc with visual display	2	manual / semi-automatic
K- 07 25 22 29	G 3/8 i	0.5 - 16 bar	0 - 25 bar	zinc with visual display	2	manual / semi-automatic
K- 07 25 22 30	G 1/2 i	0.1 - 1 bar	0 - 1,6 bar	zinc with visual display	2	manual / semi-automatic
K- 07 25 22 31	G 1/2 i	0.1 - 2 bar	0 - 2,5 bar	zinc with visual display	2	manual / semi-automatic
K- 07 25 22 32	G 1/2 i	0.2 - 4 bar	0 - 6 bar	zinc with visual display	2	manual / semi-automatic
K- 07 25 22 33	G 1/2 i	0.5 - 8 bar	0 - 10 bar	zinc with visual display	2	manual / semi-automatic
K- 07 25 22 34	G 1/2 i	0.5 - 10 bar	0 - 16 bar	zinc with visual display	2	manual / semi-automatic
K- 07 25 22 35	G 1/2 i	0.5 - 16 bar	0 - 25 bar	zinc with visual display	2	manual / semi-automatic