

K-BEFESTIGUNGSELEMENTE PF3W

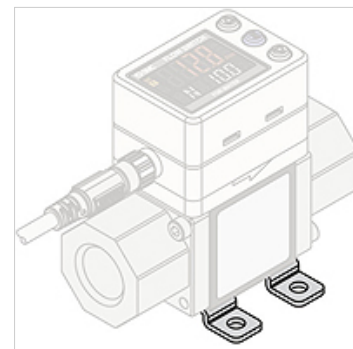
mounting element PF3W

HANSA FLEX

Lastnosti

serija PF3W

drugi podatki Accessories for Digital Flow Switch PF3W



Opis

Mount, for PF3W704/720, including 4 self-tapping screws (3 x 8)

Artikel

Opis	Izvedba	definicija
K- 07 60 00 26	including 4-tapping screws (3 x 8)	Mounting element for PF3W704/720
K- 07 60 00 27	including 4-tapping screws (3 x 8)	Mounting element for PF3W740
K- 07 60 00 28	including 4-tapping screws (4 x 10)	Mounting element for PF3W711