

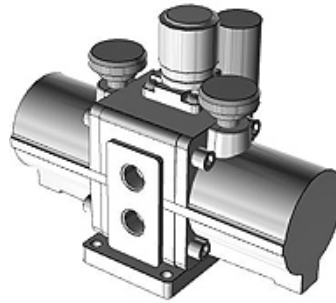
K-DRUCKVERST MANO H SCHALLD W VBA

Booster Regulator, pressure gauge, elbow high-noise reduction silencer, VBA

HANSA FLEX

Lastnosti

Izvedba	with pressure gauge and with high performance muffler, angled
min. delovni tlak	0.20 MPa
priključek za pnevmatski manometer	Rc 1/8
število priključkov za pnevmatski manometer	2
maks. vstopni tlak	0,1 to 1,0 MPa
temperatura medija	+2 °C to +50 °C
temperatura okolice	+2 °C bis +50 °C
Sredstva	stisnjen zrak



Opis

Booster regulator, series VBA, increases pressure only where the force is inadequate because of a low network pressure (energy saving measure), no electricity supply necessary, longer service life: doubled compared to conventional model, lower operating noise level: 13 dB (A), improved operational reliability from inbuilt mesh filter on (IN connection) compressed air inlet, reduced condensation levels: air exhaust channels integrated directly into the cylinder tube, suitable for: compressed air, size 1/4, with pressure gauge and silencer, elbow, pneumatic connection: G 1/4, pneumatic connection pressure gauge: G 1/8, pneumatic connections pressure gauge: 2, flow rate 230 l/min, pressure boost 1:2, manually actuated pressure adjustment mechanism, test pressure: 3 MPa, max. operating pressure: 2 MPa, min. operating pressure: 0.2 MPa, media temperature: +2 to +50 °C, ambient temperature: +2 to +50 °C

Artikel

Opis	priključek za pnevmatski manometer	Velikost	mehanizem za nastavitev tlaka	razmerje ojačanja tlaka	pretok (L/min)	maks. delovni tlak (MPa)
K- 07 60 00 04	G 1/4	1/4	manually operated	1:2	230	3,00