

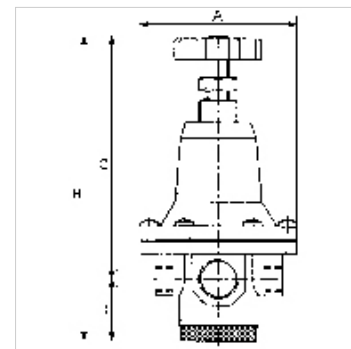
# K-DBV MANO 1/2"

Pressure limiting valves size 1/2"

**HANSA FLEX**

## Lastnosti

<b>Način izdelave</b>	Spring-loaded, non-return diaphragm valve with adjustable opening pressure
<b>temperatura medija</b>	max. 60 °C
<b>temperatura okolice</b>	Max. 60 °C
<b>tesnilni material</b>	NBR
<b>vzmetni pokrov</b>	POM/brass
<b>ohišje</b>	Die-cast zinc, painted silver
<b>membrana</b>	NBR



## Navodilo

Drugi podatki na zahtevo.

## Opis

Manually adjustable overflow valves. For protecting pneumatic systems against damage caused by excess pressure.

## Artikel

Opis	Navoj	regulacijsko območje	A (mm)	B	C (mm)	D (mm)
K- 07 25 01 97	G 1/2	0.5 - 3.0 bar	82,0	162,0 mm	129,0	33,0
K- 07 25 01 98	G 1/2	0.5 - 5.5 bar	82,0	162,0 mm	129,0	33,0
K- 07 25 01 99	G 1/2	0.5 - 10.0 bar	82,0	162,0 mm	129,0	33,0

## Nadomestni deli

<b>K-HALTERBAUSATZ STANDARD</b>	Holder
<b>K-GERAETESTECKER</b>	Coupling socket
<b>K-SCHALLDAE SINTERBR AG 569</b>	Silencers, sintered bronze, flat type with male thread, 569 Series
<b>K-VERSCHLEI-SATZ</b>	Set of wearing parts
<b>K-KM MS</b>	Hexagonal lock nuts, brass