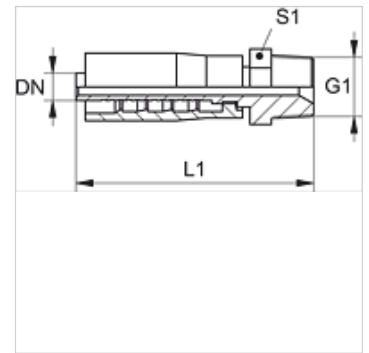


Lastnosti

Priključek 1	Zunanji navoj NPT
Oblika tesnila 1	tesni navoje, dodatni 60° notranji konus.
kratica	AGN
Obseg dobave	zatisna mazalka + okov
Material:	jeklo
Zaščita površine	galvanično prevlečeno



Artikel

Opis	DN	Size	Palec	G1	L1 (mm)	S1
PAY 506 HN	6	4	1/4"	1/4" -18 NPT	61,5	15
PAY 506 HN 10	6	4	1/4"	3/8" -18 NPT	65,1	19
PAY 508 HN 10	8	5	5/16"	3/8" -18 NPT	68,0	19
PAY 510 HN	-	-	-	-	72,1	19
PAY 513 HN	12	8	1/2"	1/2" -14 NPT	84,5	24
PAY 520 HN	19	12	3/4"	3/4" -14 NPT	95,5	27
PAY 525 HN	25	16	1"	1" -11,5 NPT	106,0	36