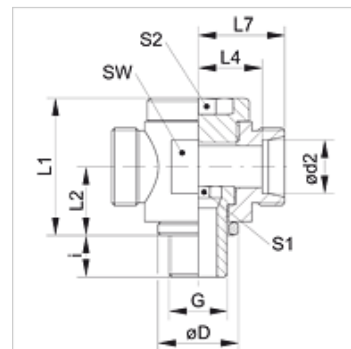


Osobine

| | |
|-----------------------------|---|
| Priključak 1 | metrički spoljni cilindrični navoj |
| Oblik zaptivke 1 | Prsten sa zaptivnim rubom |
| Priključak 2 + 3 | metrički spoljni cilindrični navoj |
| Oblik zaptivke 2 + 3 | 24° unutrašnji konus |
| Konstrukcija | Zglobni navojni spoj, bez prigušivanja |
| Konstrukcija | T oblik |
| Norma | ISO 8434-1 |
| Obim isporuke | Nastavak (bez preklopne navrtke i reznog prstena) |
| Materijal | čelik |
| Površinska zaštita | galvanska prevlaka |



Napomena

Molimo Vas da napomene za montažu, ugradnju, opterećenje pod pritiskom i dozvoljene radne temperature nađete u tehničkim informacijama o navojnim spojevima za cevi.

Artikal

| Naziv | Seriya | Radni pritisak bar | Ø d2 (mm) | G | Ø D (mm) | i (mm) | L1 (mm) | L2 (mm) | L4 (mm) | L7 (mm) | SW (mm) | S1 | S2 |
|---------------|--------|--------------------|-----------|------------|----------|--------|---------|---------|---------|---------|---------|----|----|
| XDTM NW 04 HL | L | PN 160 | 6 | M 10 x 1 | 14,0 | 8 | 24 | 12 | 12,0 | 19 | 19 | 6 | 6 |
| XDTM NW 06 HL | L | PN 160 | 8 | M 12 x 1,5 | 17,0 | 12 | 27 | 14 | 13,0 | 20 | 22 | 6 | 6 |
| XDTM NW 08 HL | L | PN 100 | 10 | M 14 x 1,5 | 19,0 | 12 | 30 | 15 | 15,0 | 22 | 22 | 8 | 8 |
| XDTM NW 10 HL | L | PN 100 | 12 | M 16 x 1,5 | 21,0 | 12 | 36 | 18 | 17,5 | 24 | 27 | 10 | 10 |
| XDTM NW 13 HL | L | PN 100 | 15 | M 18 x 1,5 | 23,0 | 12 | 39 | 19 | 20,0 | 27 | 30 | 12 | 12 |
| XDTM NW 16 HL | L | PN 100 | 18 | M 22 x 1,5 | 27,0 | 14 | 41 | 20 | 20,5 | 28 | 32 | 14 | 14 |
| XDTM NW 20 HL | L | PN 100 | 22 | M 26 x 1,5 | 31,0 | 16 | 46 | 22 | 24,5 | 32 | 36 | 17 | 17 |
| XDTM NW 25 HL | L | PN 100 | 28 | M 33 x 2 | 39,0 | 18 | 58 | 29 | 29,5 | 37 | 46 | 22 | 22 |
| XDTM NW 32 HL | L | PN 63 | 35 | M 42 x 2 | 49,0 | 20 | 69 | 33 | 33,0 | 44 | 55 | 27 | 27 |
| XDTM NW 40 HL | L | PN 63 | 42 | M 48 x 2 | 55,0 | 22 | 84 | 41 | 40,0 | 51 | 70 | 32 | 32 |
| XDTM NW 03 HS | S | PN 160 | 6 | M 12 x 1,5 | 17,0 | 12 | 27 | 14 | 15,0 | 22 | 22 | 6 | 6 |
| XDTM NW 04 HS | S | PN 160 | 8 | M 14 x 1,5 | 19,0 | 12 | 30 | 15 | 16,0 | 23 | 22 | 8 | 8 |
| XDTM NW 06 HS | S | PN 100 | 10 | M 16 x 1,5 | 21,0 | 12 | 36 | 18 | 18,0 | 25 | 27 | 10 | 10 |
| XDTM NW 08 HS | S | PN 100 | 12 | M 18 x 1,5 | 23,0 | 12 | 39 | 19 | 26,0 | 27 | 30 | 12 | 12 |
| XDTM NW 10 HS | S | PN 100 | 14 | M 20 x 1,5 | 25,0 | 14 | 41 | 20 | 22,0 | 30 | 32 | 12 | 12 |
| XDTM NW 13 HS | S | PN 100 | 16 | M 22 x 1,5 | 27,0 | 14 | 45 | 22 | 23,5 | 32 | 36 | 14 | 14 |
| XDTM NW 16 HS | S | PN 100 | 20 | M 27 x 2 | 32,0 | 16 | 58 | 28 | 28,5 | 39 | 46 | 17 | 17 |
| XDTM NW 20 HS | S | PN 100 | 25 | M 33 x 2 | 39,0 | 18 | 62 | 31 | 31,0 | 43 | 50 | 22 | 22 |
| XDTM NW 25 HS | S | PN 63 | 30 | M 42 x 2 | 49,0 | 20 | 74 | 36 | 36,5 | 50 | 60 | 27 | 27 |
| XDTM NW 32 HS | S | PN 63 | 38 | M 48 x 2 | 55,0 | 22 | 84 | 41 | 41,0 | 57 | 70 | 32 | 32 |

Seriya: LL = veoma lako L = lako S = teško - PN = nominalni pritisak PB = maks. radni pritisak - Ø d2 = spoljni prečnik cevi

Varijante proizvoda

| | |
|----------------|--|
| XDTM VA | Zglobni navojni spoj, bez prigušivanja, T oblik, Nastavak (bez preklopne navrtke i reznog prstena) |
| DTM | Zglobni navojni spoj, bez prigušivanja, T oblik, Nastavak sa preklopnom navrtkom i reznim prstenom |